



Epson[®] SureColor[®] S40600/S60600/S80600 User's Guide

Contents

SureColor S40600/S60600/S80600 User's Guide	7
Introduction to Your Printer.....	8
Notations Used in the Documentation	8
Printer Part Locations	8
Product Parts - Front	9
Product Parts - Right Side	10
Product Parts - Inside	11
Product Parts - Back.....	12
Control Panel.....	13
Consumables and Replacement Parts.....	17
Printer Usage Guidelines	18
Using Your Printer	19
Handling Ink and Cleaning Cartridges	20
Handling Media.....	21
Storing Your Printer	22
Media Handling.....	23
Media Handling Precautions	23
Loading Media.....	24
Using the Auto Take-up Reel	38
About the Auto Take-up Reel	38
Attaching the Take-up Roll Core to the Auto Take-up Reel	39
Take Up with the Printable-Side-In	43
Take Up with the Printable-Side-Out	46
Viewing and Changing Media Settings.....	49
Removing Printed Media	50
Printing the Amount of Media Remaining	51
Cutting Media	51
Removing Media From the Auto Take-up Reel.....	54
Daily Tasks to Perform Before You Print	56
Saving Sets of Media Settings	57

Tasks You Can Perform While Printing	60
Checking Consumable Status During Printing.....	61
Adjusting Heating and Drying During Printing.....	61
Correcting Banding Issues During Printing.....	61
Printable Area and Media Size Checking	62
Print Start Positions.....	64
Using the Control Panel Menus.....	68
Accessing the Printer's Menus	68
Media Setup Menu Settings	68
Adjusting Media Feed and Head Alignment.....	73
Printer Setup Menu Settings	76
Maintenance Menu Settings.....	79
Printer Status Menu Settings.....	81
Other Settings Menu Settings	81
Maintenance.....	83
When to Maintain Your Product	83
Preparing for Maintenance	86
Maintenance Supplies	87
Maintenance Precautions.....	88
Cleaning the Platen Heater and Media Edge Plates.....	89
Performing Regular Cleaning.....	91
Using Ink Cleaner	91
Moving the Print Head for Maintenance.....	93
Cleaning Around the Print Head	93
Cleaning the Anti-drying Caps	95
Shaking and Replacing Ink Cartridges	102
Shaking the Ink Cartridges	103
Replacing the Ink Cartridges	103
Replacing the Waste Ink Bottle	107
Replacing the Maintenance Parts	108
Replacing the Media Edge Plates	114
Print Head Maintenance.....	120
Checking for Clogged Print Head Nozzles.....	121

Cleaning the Print Head Nozzles	122
Performing Pre-storage Maintenance	123
Changing the Color Mode	124
Cleaning Inside the Front Cover	125
Cleaning the Pressure Rollers	126
Applying Carriage Rod Grease	128
Used Parts Disposal Guidelines	133
Moving or Transporting the Product	135
Prepare to Move the Product	135
Setting Up the Product After Moving	136
Solving Problems	138
Product Status Messages	138
Solving Printer Problems	141
Printer Does Not Turn On	142
LCD Screen Shuts Off	142
After Heater Shuts Off	142
Forgot the Administrator Password	142
Red Light Shines Inside the Printer	143
Solving Printing Problems	143
Nothing Prints	143
Cannot Print Over a Network	143
Print Head Moves But Nothing Prints	144
Printing Continues After Media Roll Empties	144
Removing Jammed Media	145
Solving Print Quality Problems	148
Nozzle Check Pattern Prints Incorrectly	148
Overall Print Quality Is Poor	148
Image is not Positioned Correctly on the Media	149
Where to Get Help	149
Technical Specifications	151
Epson Control Dashboard System Requirements	151
Printing Specifications	152
Electrical Specifications	153

Environmental Specifications	154
Dimension Specifications	155
Interface Specifications	156
Ink Cartridge Specifications.....	156
Media Specifications	157
Safety and Approvals Specifications	157
Notices	158
Important Safety Instructions.....	158
General Product Safety Instructions	158
Ink Cartridge Safety Instructions.....	160
FCC Compliance Statement.....	161
Software License Terms.....	162
Trademarks	169
Copyright Notice.....	170
A Note Concerning Responsible Use of Copyrighted Materials.....	170
Copyright Attribution	170

SureColor S40600/S60600/S80600 User's Guide

Welcome to the SureColor S40600/S60600/S80600 *User's Guide*.

For a printable PDF copy of this guide, [click here](#).

Introduction to Your Printer

Refer to these sections to learn more about your printer and this manual.

[Notations Used in the Documentation](#)

[Printer Part Locations](#)

[Consumables and Replacement Parts](#)

[Printer Usage Guidelines](#)

Notations Used in the Documentation

Follow the guidelines in these notations as you read your documentation:

- **Warnings** must be followed carefully to avoid bodily injury.
- **Cautions** must be observed to avoid damage to your equipment.
- **Notes** contain important information about your printer.
- **Tips** contain additional printing information.

Parent topic: [Introduction to Your Printer](#)

Printer Part Locations

Check the printer part illustrations to learn about the parts on your printer.

[Product Parts - Front](#)

[Product Parts - Right Side](#)

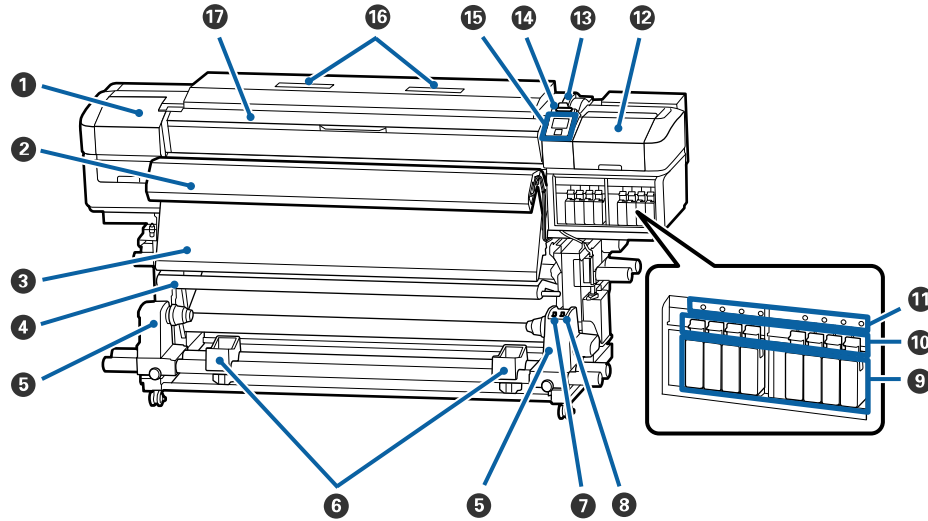
[Product Parts - Inside](#)

[Product Parts - Back](#)

[Control Panel](#)

Parent topic: [Introduction to Your Printer](#)

Product Parts - Front

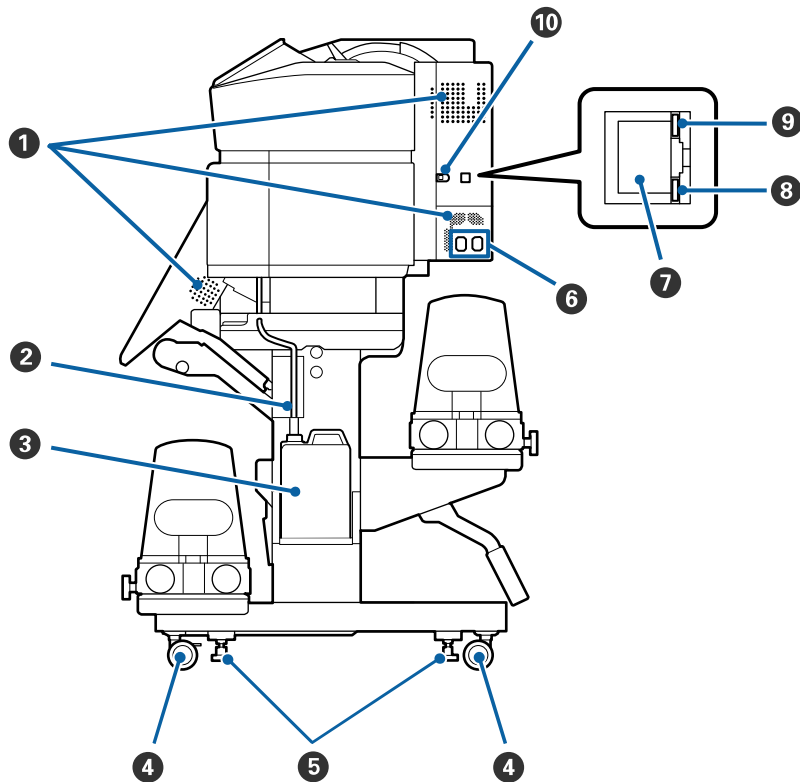


- 1 Left maintenance cover
- 2 Print drying system (included with SC-S60600 and optional for SC-S40600/S80600)
- 3 After heater
- 4 Tension bar
- 5 Takeup reel roll core holder
- 6 Takeup roll support
- 7 **Auto** switch
- 8 **Manual** switch
- 9 Ink cartridges
- 10 Ink cartridge lock levers
- 11 Cartridge check light
- 12 Right maintenance cover
- 13 Media loading lever
- 14 Alert light

- 15 Control panel
- 16 Air filters
- 17 Front cover

Parent topic: [Printer Part Locations](#)

Product Parts - Right Side

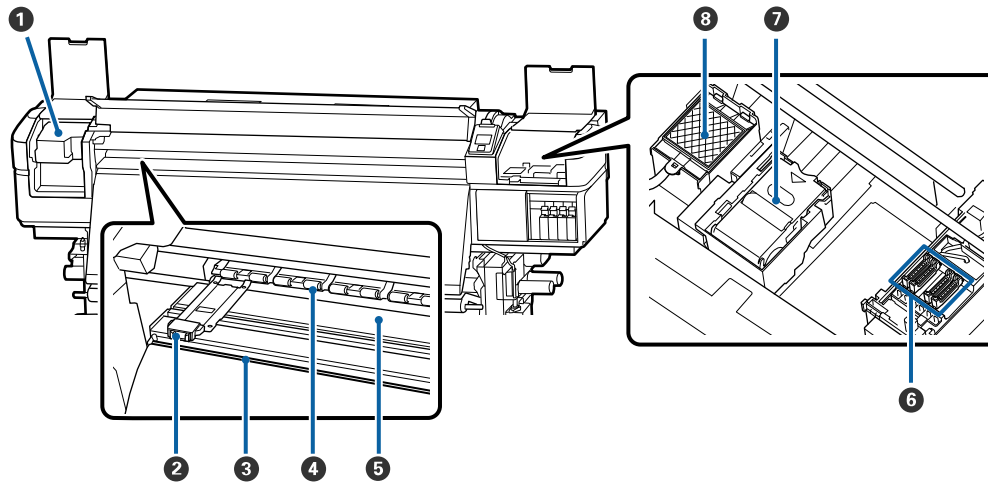


- 1 Airflow vents
- 2 Waste ink tube
- 3 Waste ink bottle

- 4 Casters
- 5 Stand fixing screws
- 6 AC inlets
- 7 LAN port
- 8 Data light
- 9 Status light
- 10 USB port

Parent topic: [Printer Part Locations](#)

Product Parts - Inside

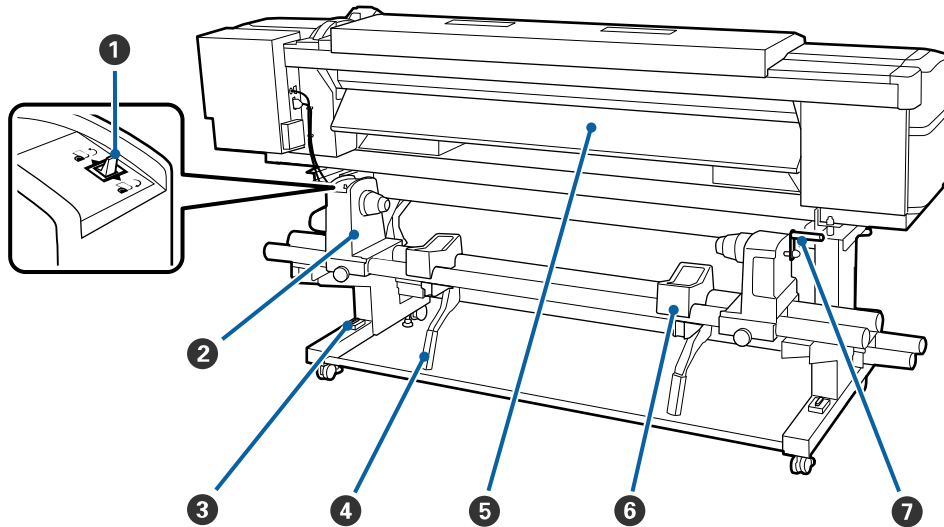


- 1 Print head (one print head for SC-S40600 and two print heads for SC-S60600/S80600)
- 2 Media edge plates
- 3 Cutter groove
- 4 Pressure rollers
- 5 Platen heater

- 6 Caps (one set for SC-S40600 and two sets for SC-S60600/S80600)
- 7 Wiper unit
- 8 Flushing pad

Parent topic: [Printer Part Locations](#)

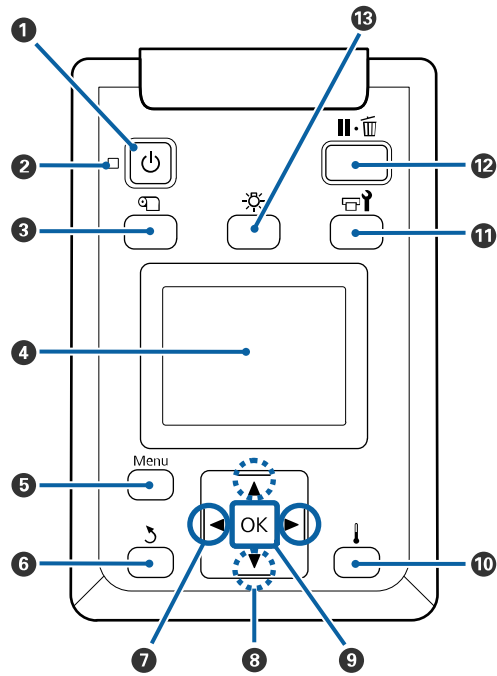
Product Parts - Back





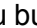



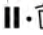
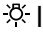
- 1 Drive switch
- 2 Roll holder
- 3 Level gauge
- 4 Lift lever
- 5 Pre-heater
- 6 Roll support
- 7 Handle

Parent topic: [Printer Part Locations](#)

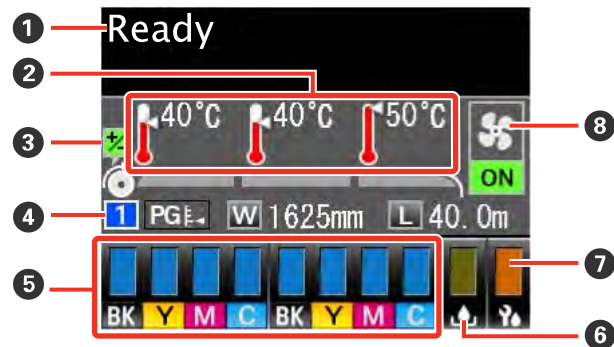
Control Panel


















- 1 The  power button
- 2 The  power light
- 3 The  media setup button
- 4 LCD screen
- 5 The **Menu** button
- 6 The  back button
- 7 The left and right arrow buttons
- 8 The up and down arrow buttons
- 9 The **OK** button
- 10 The  heat/dry menu button







- 11 The  maintenance button
- 12 The  pause/cancel button
- 13 The  light button

LCD Screen Display



1	Printer status and error messages
2	<p>Heater temperature status</p> <p>: Heater is at the selected temperature</p> <p>: Heater has not yet reached the selected temperature</p>
3	Feed adjustment information, if you have entered a value during printing
4	<p>Media information</p> <p>Displays the number for the selected media, the platen gap setting, the media width, and media remaining</p> <p>: Platen gap is 1.6</p> <p>: Platen gap is 2.0</p> <p>: Platen gap is 2.5</p>

5	<p>Ink cartridge status</p> <p>Displays the printer status and approximate level of ink remaining</p> <p>: Ready to print</p> <p>: Ink is low; make sure you have a replacement ink cartridge handy</p> <p>: Ink cartridge is expended; replace the ink cartridge</p> <p>: Ink cartridge is not latched; lower the lock lever</p> <p>: No ink cartridge installed; insert an ink cartridge and lower the lock lever</p> <p>: An error occurred; follow the instructions on the LCD screen to clear the error</p> <p>: A cleaning cartridge is installed</p>
6	<p>Waste ink bottle status</p> <p>Displays the approximate amount of space remaining in the waste ink bottle</p> <p>: No error</p> <p>: Waste ink bottle is almost full; prepare a new waste ink bottle</p> <p>: Waste ink bottle is full; replace the waste ink bottle</p>

7	<p>Wiper unit status</p> <p>Displays the remaining amount for the wiper</p> <p>: No error</p> <p>: Wiper unit is low; prepare a new wiper unit</p> <p>: Wiper unit is out; replace the wiper unit</p> <p>: Wiper unit not installed or installed incorrectly</p>
8	<p>Print drying status</p> <p>Displays the status of the print drying system (optional for SC-S40600)</p> <p>No icon: Print drying system not installed or installed incorrectly</p> <p>: Drying fan is on</p> <p>: Drying fan is off</p>

Parent topic: [Printer Part Locations](#)

Related references

[Product Status Messages](#)

Related tasks

[Replacing the Waste Ink Bottle](#)

[Replacing the Maintenance Parts](#)

Related topics

[Shaking and Replacing Ink Cartridges](#)

Consumables and Replacement Parts

You can purchase genuine Epson ink, paper, and accessories from an Epson authorized reseller. To find the nearest reseller, visit proimaging.epson.com (U.S.) or epson.ca (Canada), or call 800-GO-EPSON (800-463-7766).

SureColor S40600/S60600 ink cartridges

Slot	Ink color	Part number
BK	Black	T890100
C	Cyan	T890200
M	Magenta	T890300
Y	Yellow	T890400

SureColor S80600 ink cartridges

Slot	Ink color	Part number
BK	Black	T890100
C	Cyan	T890200
M	Magenta	T890300
Y	Yellow	T890400
LC	Light Cyan	T890500
LM	Light Magenta	T890600
LK	Light Black	T890700
OR	Orange	T890800
R	Red	T890900
WH	White	T890A00
MS	Metallic Silver	T890B00

Option or part	Part number
Cleaning cartridge	T696000

Option or part	Part number
Maintenance parts kit; includes wiper unit, flushing pad, air filters, and gloves	C13S210044
Ink cleaner	T699300
Waste ink bottle	C13T724000
Cleaning sticks	C13S090013
Clean room wiper (not available in some countries)	C13S090016
Print drying system (optional for the SC-S40600/S80600)	C12C932381
Media edge guide	C12C932411
1-year extended Epson Preferred Plus Silver service plan	EPPS30SB1 (SC-S40600) EPPS5070SB1 (SC-S60600/S80600)
1-year extended Epson Preferred Plus Gold service plan	EPPS30GB1 (SC-S40600) EPPS5070GB1 (SC-S60600/S80600)
1-year extended Epson Preferred Plus Platinum service plan	EPPS30PB1 (SC-S40600) EPPS5070PB1 (SC-S60600/S80600)

Parent topic: [Introduction to Your Printer](#)

Printer Usage Guidelines

Follow the guidelines in these sections as you use your printer, consumables, and print media.

[Using Your Printer](#)

[Handling Ink and Cleaning Cartridges](#)

[Handling Media](#)

[Storing Your Printer](#)

Parent topic: [Introduction to Your Printer](#)

Using Your Printer

Follow these guidelines as you use your printer:

- Operate the printer only within the specified operating temperature and humidity range for your product and your media.
- Check to make sure you maintain the specified humidity range, especially in dry areas or air conditioned environments.
- Keep the printer out of direct sunlight.
- Do not install the printer next to heat sources or directly in the path of exhaust from a ventilator or air conditioner. Failure to observe this precaution could result in the print head nozzles drying out and clogging.
- Make sure the product work space is kept free of dust or lint that could damage your product or clog the print head nozzles.
- Use the product in a sufficiently ventilated area.
- Perform maintenance operations according to usage frequency or at the recommended intervals. Failure to perform regular maintenance could reduce print quality or damage the print head.
- Do not bend or pull the waste ink tube. Otherwise ink may leak inside or outside the printer.
- Be sure that the waste ink bottle is installed whenever the printer is turned on.
- If an error occurs and the printer is turned off without first resolving the error, the print head may not be in the home position, which may cause the print head to dry out. In this case, turn on the power and wait until the carriage is in the home position.
- When the printer is on, do not disconnect the power cable or cut the power at the circuit breaker. The print head may not be in the home position. In this case, turn on the power and wait a while until the print head is in the home position.

Note: To keep the print head in the optimum operating condition, ink is used in maintenance operations such as head cleaning in addition to printing.

Parent topic: [Printer Usage Guidelines](#)

Related references

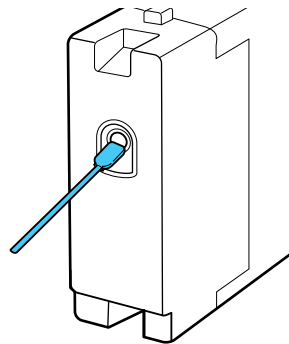
[When to Maintain Your Product](#)

[Environmental Specifications](#)

Handling Ink and Cleaning Cartridges

Follow these guidelines as you handle the ink and cleaning cartridges:

- Extra ink is required to charge the print head nozzles the first time the printer is used. Be sure to have replacement cartridges ready.
- Store ink cartridges at room temperature and away from direct sunlight.
- To ensure print quality, use ink cartridges before the expiration date printed on the packaging or within 6 months of install them.
- Allow ink cartridges and cleaning cartridges that have been stored at low temperatures for an extended period of time to return to room temperature over a period of four hours before use.
- Do not touch the IC chips on the cartridges. Doing so may prevent normal operation and printing.
- Install ink cartridges into all the slots on the printer or the printer cannot print.
- Do not leave the printer without cartridges installed in all the slots, even when the printer is not in use. The ink in the printer may dry out, preventing it from printing as expected.
- The IC chip on each cartridge stores information, such as ink levels, to allow the cartridge to be used after being removed and re-installed.
- If you remove an ink cartridge before it is empty, wipe off any ink from the ink supply port using the cleaning stick in the maintenance kit. If ink dries on the supply port, the cartridge may leak when it is reinstalled. Also make sure that the supply port is free of dust when storing cartridges (the port does not need to be capped since there is a valve inside).



- Removed ink cartridges may have ink around the ink supply port, so be careful not to stain any surfaces with ink.
- Do not dismantle or remodel ink cartridges. You may not be able to print properly.

- Do not drop ink cartridges or subject them to impacts. It may cause ink to leak.
- Be sure to remove ink cartridges installed in the printer and thoroughly shake them once every three weeks.
- If you are using the White or Metallic Silver ink cartridges, follow these additional guidelines to prevent sedimentation:
 - Leave the printer turned on so it can automatically circulate the ink. If you plan on leaving the printer turned off for more than a week, perform pre-storage maintenance first.
 - Remove and shake the White or Metallic Silver ink cartridges daily.
 - Lay ink cartridges on their side when storing them.
 - When printing multiple copies of a large print job, the printer may perform automatic ink circulation in between copies which can cause your printouts to differ in color. To avoid this, it is recommended that you perform **Ink Circulation** from the Maintenance menu before you start printing.

Note: To maintain the quality of the print head, the printer stops printing before ink cartridges are completely expended. The ink cartridges may contain recycled materials; this does not affect printer functions or performance.

Parent topic: [Printer Usage Guidelines](#)

Related references

[Maintenance Menu Settings](#)

Related tasks

[Shaking the Ink Cartridges](#)

Handling Media

Follow these guidelines as you handle or store media:

- Read and follow the guidelines provided with each type of media.
- Do not fold the media or otherwise damage its printable surface.
- Do not touch the printable surface. This prevents oil from your hands from causing print quality problems.
- When handling media, hold it by both edges, preferably while wearing cotton gloves.
- Keep the media dry and avoid storage locations subject to direct sunlight, excessive heat, and high humidity.
- Retain the media packaging materials so you can use it to store unused media.

- After printing, do not touch, rub, or scratch the printed surface to avoid removing the ink.
- Dry printed media completely before folding or stacking it, or the printed surface may be damaged.
- Keep printed media out of direct sunlight.
- Display and store printed media as instructed in the media documentation.
- When you are not printing on media, remove it from the printer and place it in its original packaging to prevent deterioration.

Parent topic: [Printer Usage Guidelines](#)

Related topics

[Removing Printed Media](#)

Storing Your Printer

Follow these guidelines if you need to store your printer for a long period:

- If the printer is not going to be used for an extended period of time with the power off, wash the print heads with cleaning cartridges (not included) and perform pre-storage maintenance. If you are unable to wash the print heads with cleaning cartridges and perform pre-storage maintenance, turn on the printer at least once every seven days to automatically clean the print head and prevent the nozzles from clogging.
- Remove any loaded media before storing the printer to prevent the pressure rollers from causing creases in the media, which may cause jams or damage to the print head.
- Make sure that the print head is in the home position before storing the printer. If it is left away from the home position for a long time, the print quality may decline.
- Close all the covers on the printer to prevent dust and debris from getting in. If the printer will be not be used for an extended period of time, protect it with an anti-static cloth or other cover. The print head nozzles can become clogged if fine dust gets on the print head, and you may not be able to print properly.
- Store the printer on a level surface; do not store it on angle, on its end, or upside down.

Parent topic: [Printer Usage Guidelines](#)

Related references

[Where to Get Help](#)

Related topics

[Removing Printed Media](#)

Media Handling

See these sections to load and handle media on your product.

[Media Handling Precautions](#)

[Loading Media](#)

[Using the Auto Take-up Reel](#)

[Viewing and Changing Media Settings](#)

[Removing Printed Media](#)

[Daily Tasks to Perform Before You Print](#)

[Saving Sets of Media Settings](#)

[Tasks You Can Perform While Printing](#)

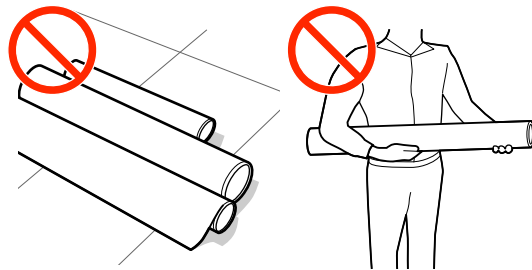
[Printable Area and Media Size Checking](#)

[Print Start Positions](#)

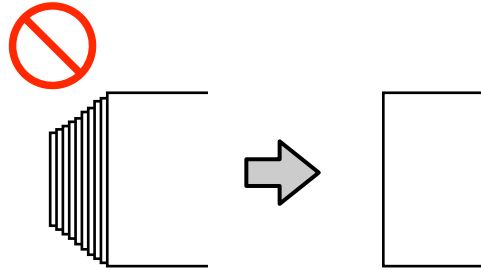
Media Handling Precautions

Follow these guidelines as you load media in your product and remove printed media.

- Be careful when you touch the heaters and media holding plates; they may be hot and could burn you.
- Take care not to trap your fingers when opening and closing the front cover.
- Do not rub your hands along the edges of the media; the sharp edges could cut you.
- Media is very heavy, so use at least two people to carry the rolls.
- Load media just before printing on it to avoid creases from the pressure rollers; creases may cause jams or cause the media to rub against the print head.
- Do not place unwrapped media directly on the floor or press it against your clothing to avoid damaging the media surface.



- Place unused media in its original packaging for storage.
- Do not load media if the edges are uneven on the roll; this could cause feeding problems. Rewind the media on the roll or use a different roll.




Parent topic: [Media Handling](#)

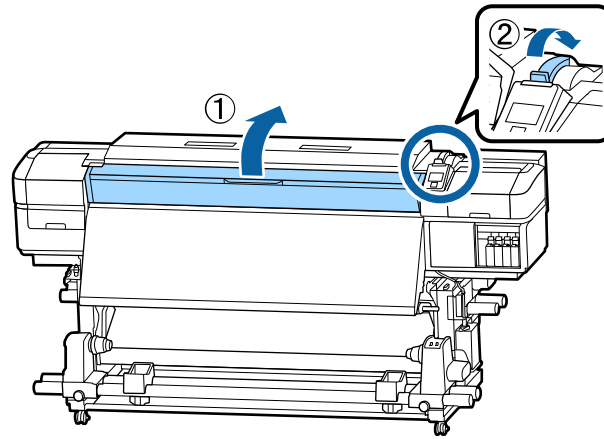
Loading Media

Before loading media in your printer, review and follow the media handling guidelines for the best results. To remove media, follow the steps in this section in reverse.

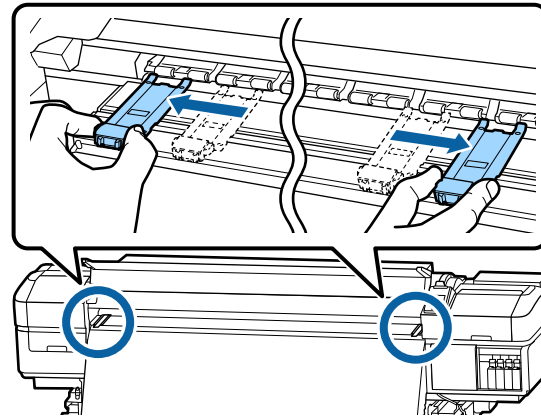
Caution: Wait until just before printing to load media. This avoids creases in the media that may be caused by the pressure rollers. Creased, wavy, or curled media could cause it to jam inside the printer or contact the print head.

1. Press the  power button and wait until you see this message on the LCD screen: **Load media**.

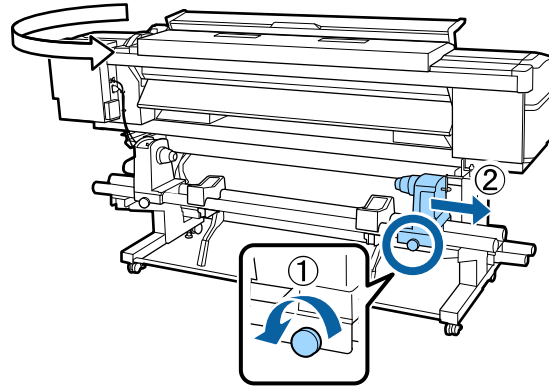
2. Open the front cover and raise the media loading lever.



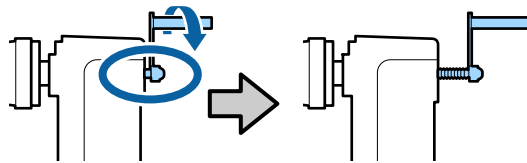
3. Grasp the tabs on the media holding plates and slide them out of the way.



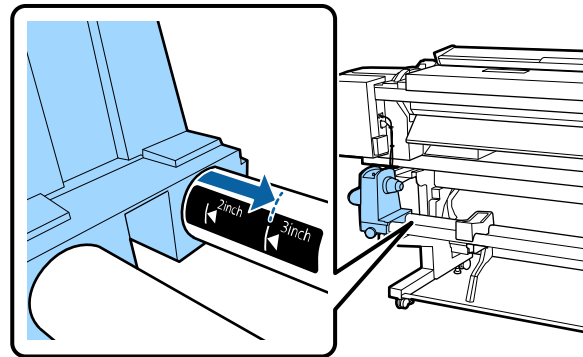
4. On the back of the product, loosen the knob for the right roll holder and slide out the roll holder wider than your media width.



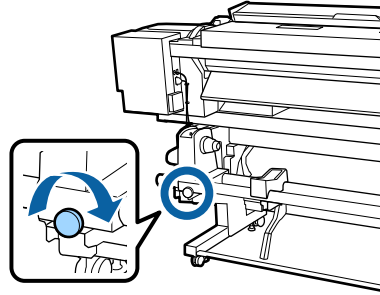
Note: If the right holder handle shaft is not visible, rotate the handle counterclockwise until it stops or the media cannot load properly.



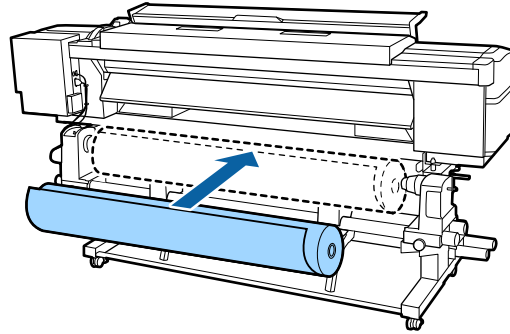
5. Slide the left roll holder to the core size for the media you are loading.



6. Fully tighten the knob on the left roll holder.

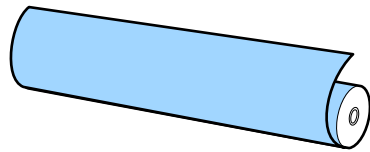


7. Place your media on the roll supports.

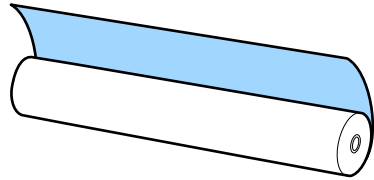


Note: Load the roll based on the printable side of your media.

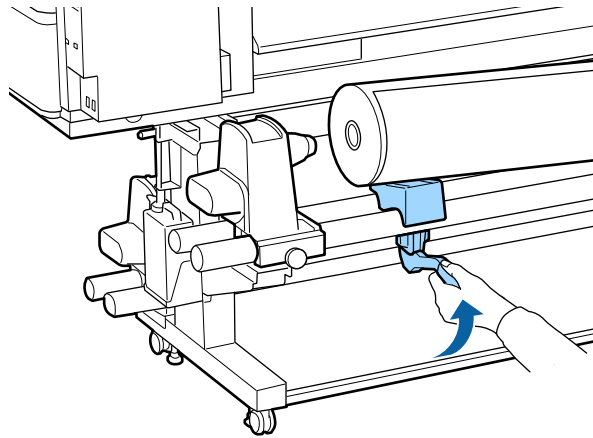
Printable side out



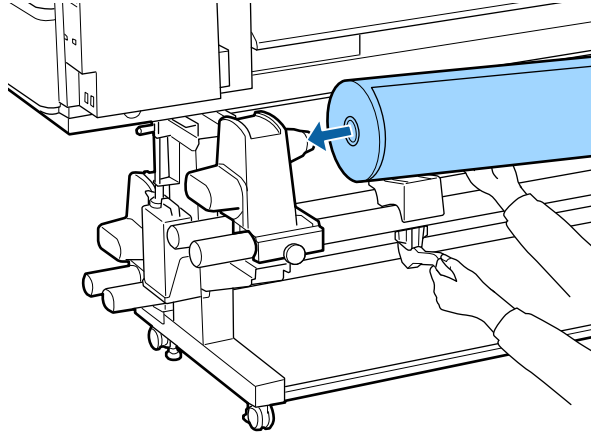
Printable side in



8. On the left side of the product, raise the lift lever to lift the media into position.

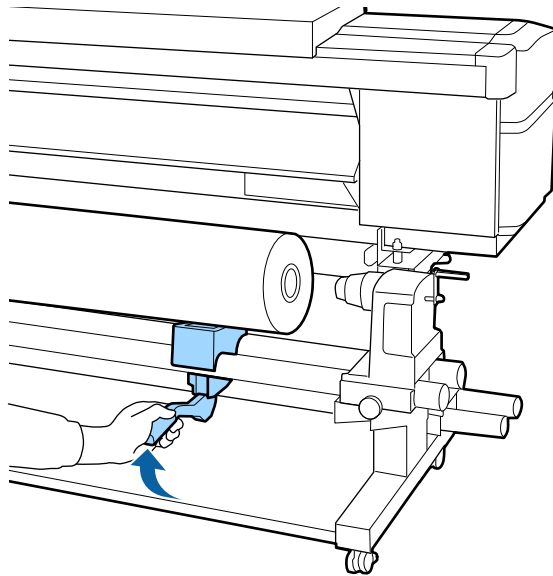


9. Firmly insert the roll media onto the left roll holder, then lower the lift lever.

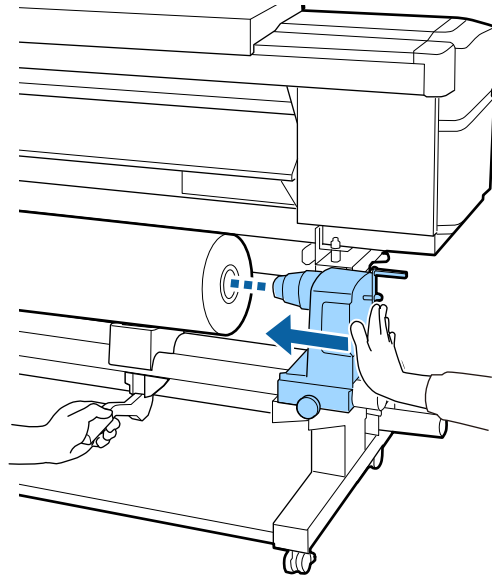


Note: If the outer diameter of the roll media is less than 5.5 inches (140 mm), you need to manually lift the roll media onto the roll holder.

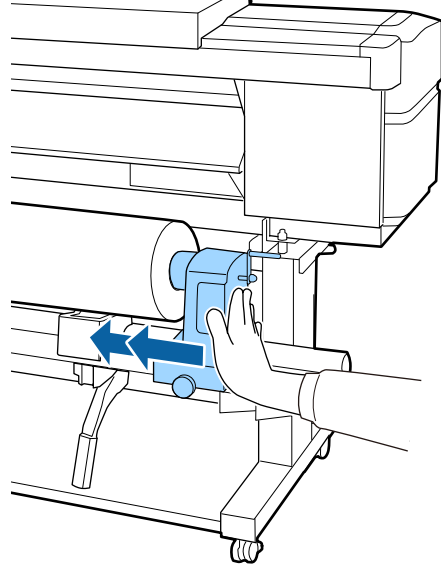
10. On the right side of the product, raise the lift lever to lift the media into position.



11. Push the right roll holder into the roll media, then lower the lift lever.

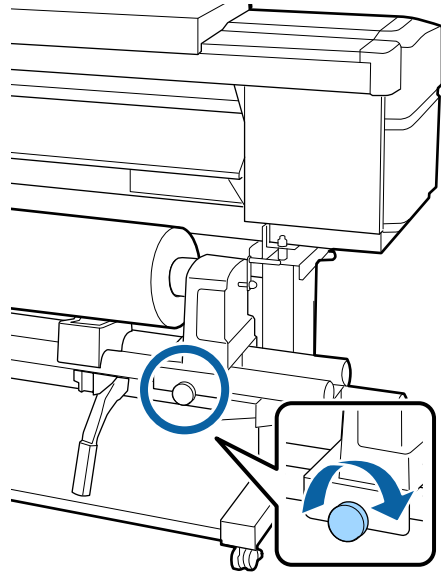


12. Push the center of the roll holder twice to securely insert it into the roll core.

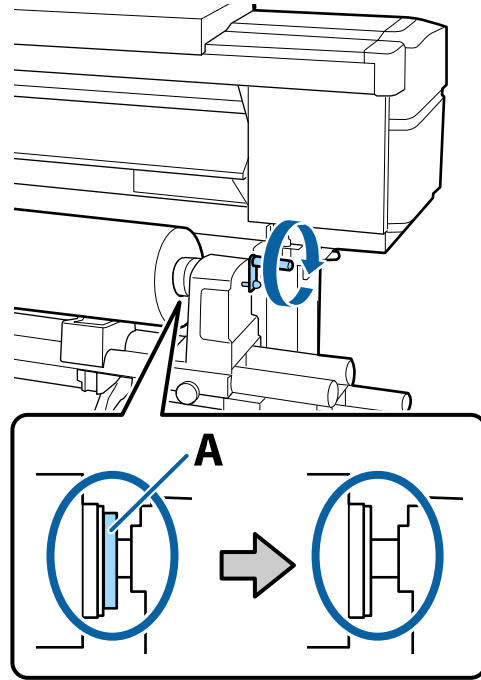


Note: Make sure the roll holder is fully inserted into the roll core or media may not feed correctly and slip during printing, or cause banding in your printouts.

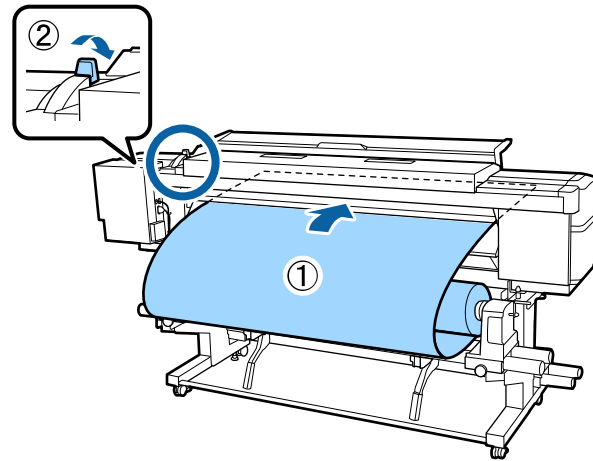
13. Fully tighten the knob on the roll holder.



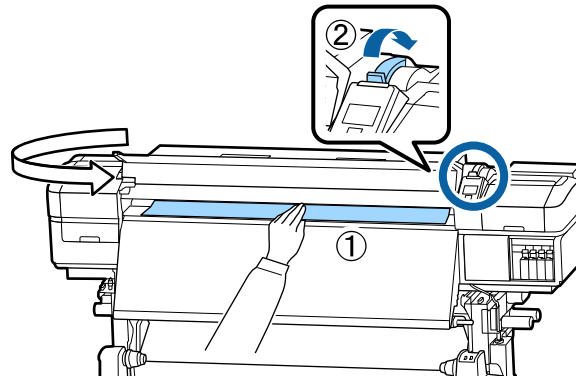
14. Rotate the roll holder handle clockwise until part A shown here is hidden from view, then stop turning the handle.



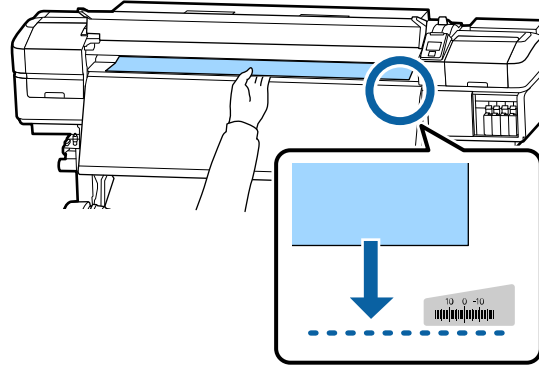
15. Insert your media approximately 12 inches (30 cm) into the opening shown here and lower the media loading lever.



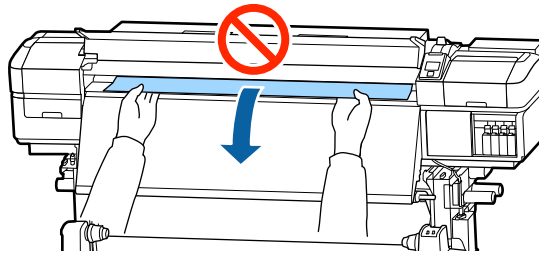
16. At the front of the printer, hold the media in the center and raise the media loading lever.



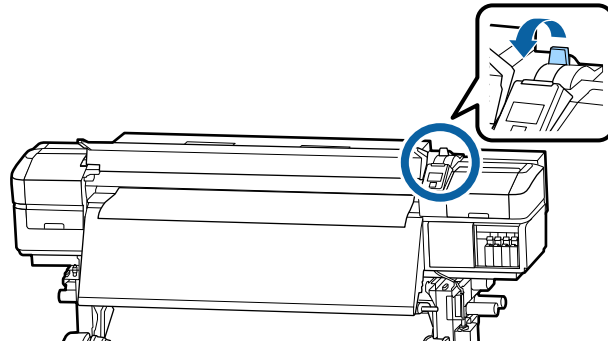
17. Pull the media straight out until it is aligned with the bottom edge of the label on the after heater.



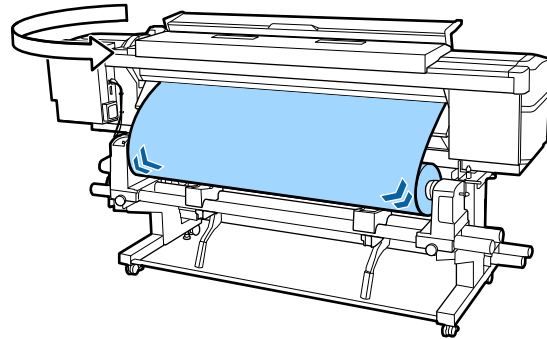
Note: Do not use two hands to pull the media to avoid skewing its position.



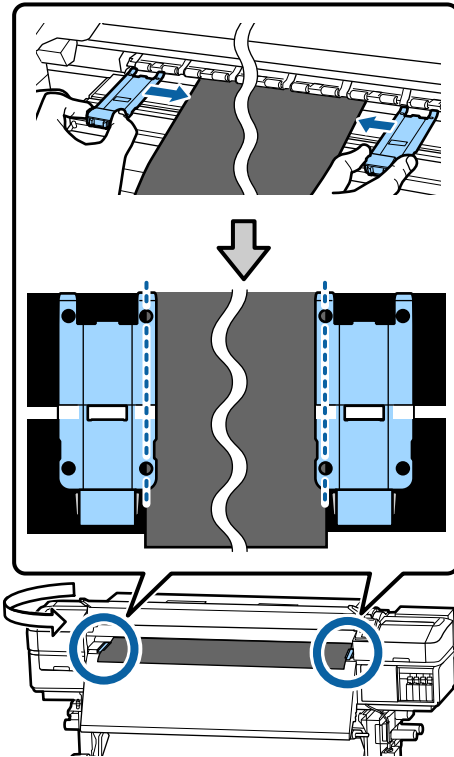
18. At the back of the printer, lower the media loading lever to hold the media in place.



19. Lightly tap both ends of the media and check if there is a difference in tension between the left and right sides. If there is a difference in tension, raise the media loading lever, adjust the looseness of the media, and lower the media loading lever.



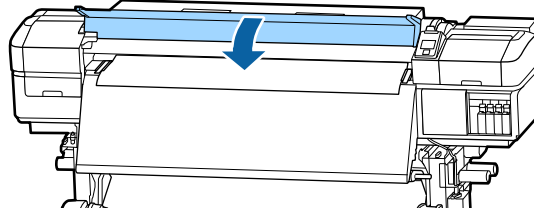
20. Slide the media edge plates against the media and adjust them so that the round holes shown here are centered over the edges of the media.



Caution: If your media is more than 0.02 inch (0.4 mm) thick, leave the media holding plates on the sides of the product or they could damage the print head.

Note: Make sure to correctly position the media holding plates as shown here or your printouts may contain banding, uneven tint, or stripes. Do not use the media holding plates if the sides of your printouts are smudged or torn.

21. Close the front cover.



Parent topic: [Media Handling](#)

Related references

[Media Handling Precautions](#)

Using the Auto Take-up Reel

See these sections to use the auto take-up reel with your product.

[About the Auto Take-up Reel](#)

[Attaching the Take-up Roll Core to the Auto Take-up Reel](#)

[Take Up with the Printable-Side-In](#)

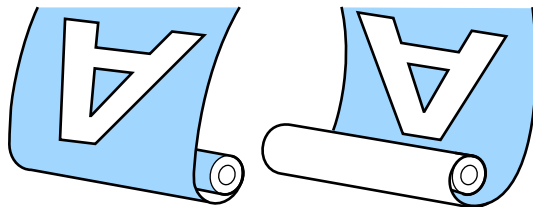
[Take Up with the Printable-Side-Out](#)

Parent topic: [Media Handling](#)

About the Auto Take-up Reel

The auto take-up reel automatically rolls up printed media as you print.

You can use the auto take-up reel for media with the printable side out or printable side in.



It is best to do the following when using the auto take-up reel:

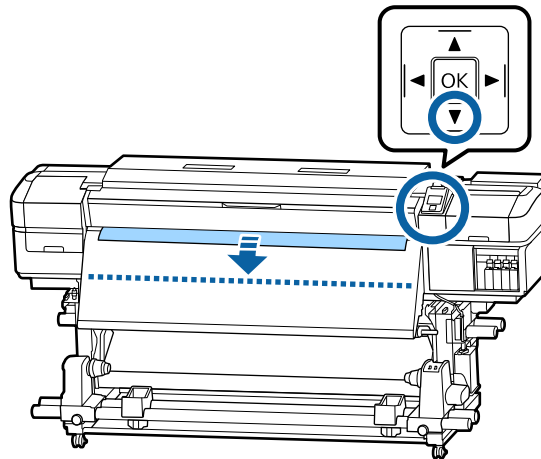
- Use a take-up roll core that is longer than the width of your media so the media is taken up without protruding from the core.
- Use the supplied paper tape or any commercially available tape to attach your media to the roll core.

Parent topic: [Using the Auto Take-up Reel](#)

Attaching the Take-up Roll Core to the Auto Take-up Reel

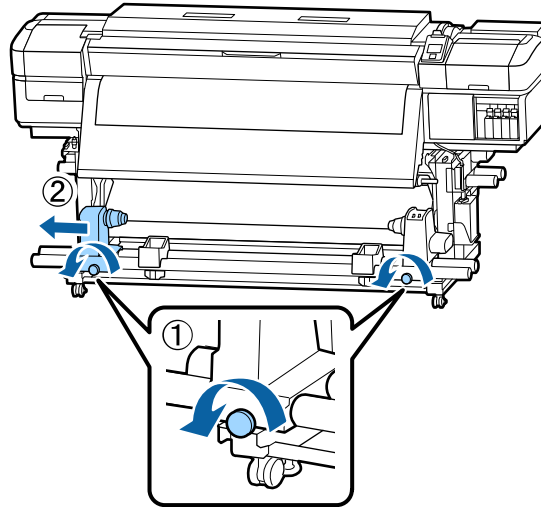
Use a take-up roll core that is longer than the width of your media so the media is taken up without protruding from the core.

1. Press and hold the down arrow button until the edge of the loaded media reaches the center of the after heater.

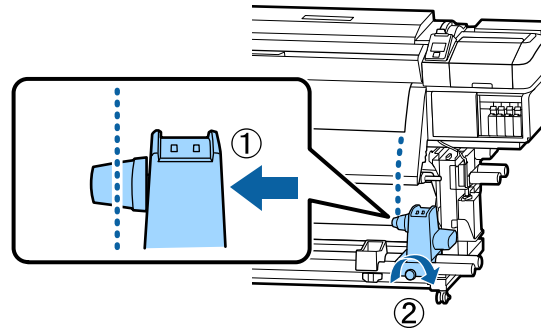


Note: Always press the down arrow button to feed media. If you pull the media with your hand, it may twist during take-up.

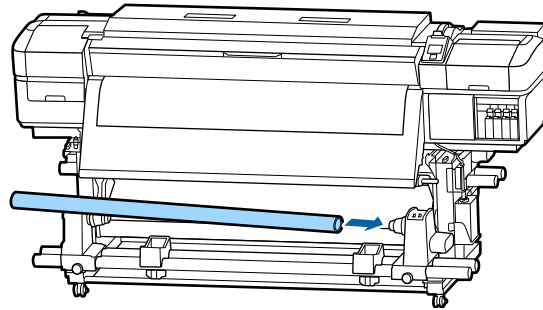
2. Loosen the roll core holder knobs and slide the core holders apart. Then center the roll supports between the roll core holders.



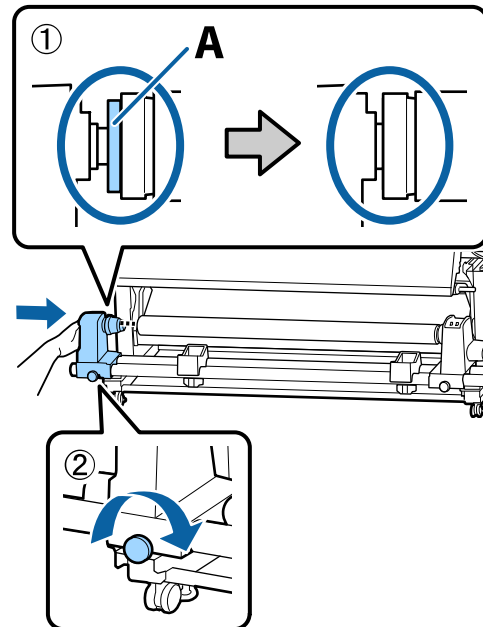
3. Align the right roll core holder with the right edge of the media and tighten the knob.



4. Insert the roll core into the right roll core holder.

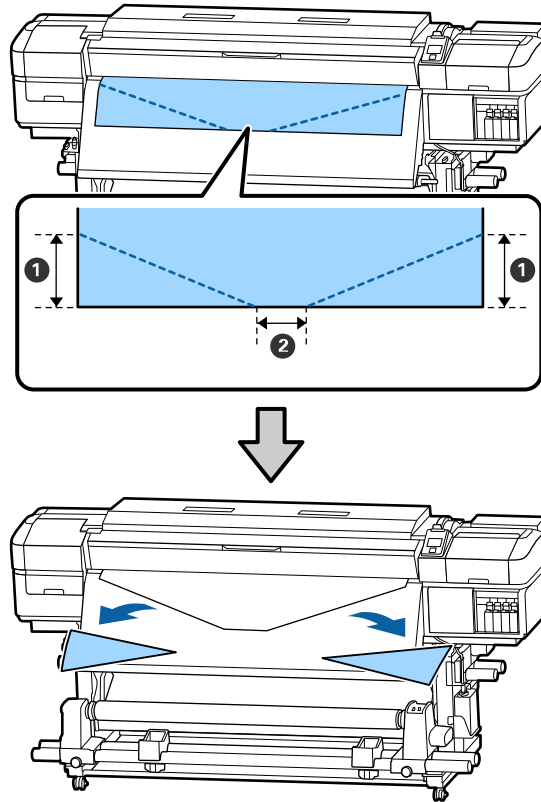


5. Push the left roll holder until part A is fully inserted into the roll core, then tighten the knob.



Caution: Once part A is hidden, do not push the roll holder any further or you may damage the roll core holder.

6. Trim the left and right corners of the media, leaving a straight section at the center about 4 to 8 inches (10 to 20 cm) wide.



- 1 10 inches (25 cm)
2 4 to 8 inches (10 to 20 cm)

Parent topic: [Using the Auto Take-up Reel](#)

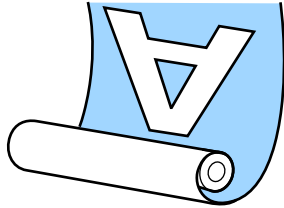
Related tasks

[Take Up with the Printable-Side-In](#)

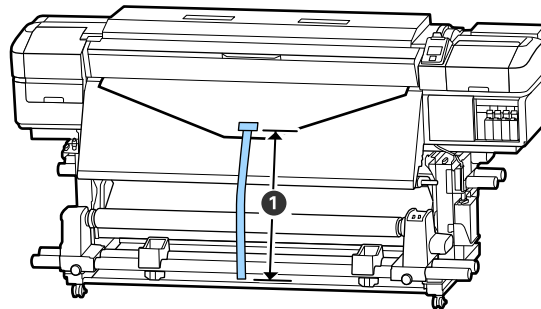
[Take Up with the Printable-Side-Out](#)

Take Up with the Printable-Side-In

After attaching the roll core on the auto take-up reel, follow these steps to take up media with the printable side in.



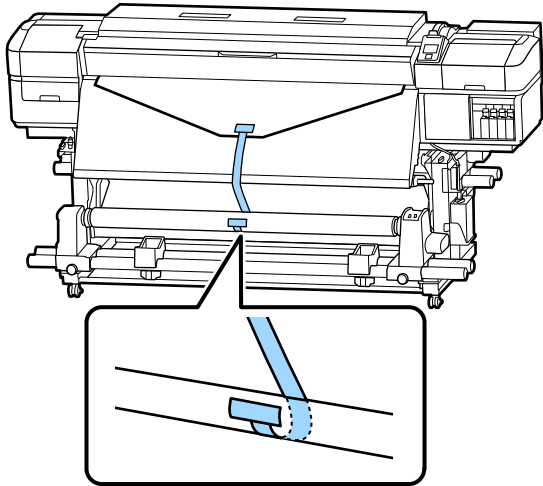
1. Cut a strip about 27.6 inches (70 cm) long from the included paper tape and attach one end to the center of the media using adhesive tape.



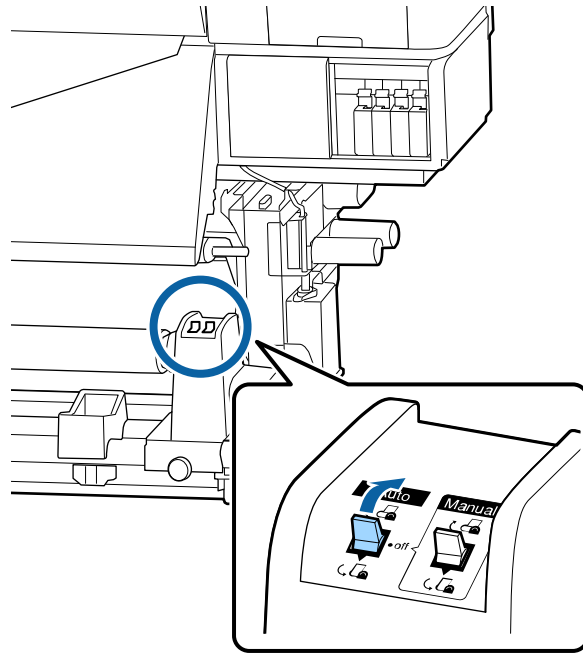
1 27.6 inches (70 cm)

Note: You can also use commercially available tape or strips cut from media to attach your media to the roll core. The paper tape or cut media strip should be about 0.8 to 1 inch (20 to 25 mm) wide and 27.6 inches (70 cm) long.

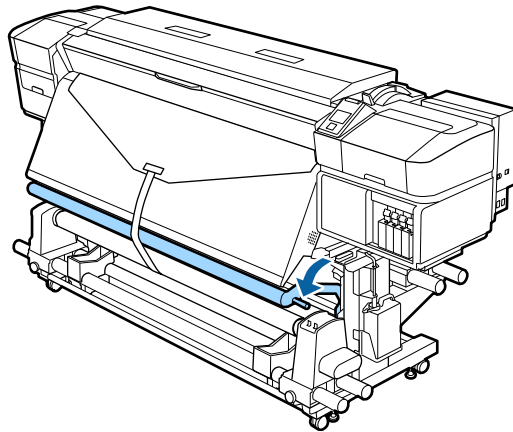
2. Pull the other end of the tape straight down and attach it to the roll core using adhesive tape as shown.



3. Set the **Auto** switch to the  position.



4. Lower the tension bar until it lightly touches the paper tape.

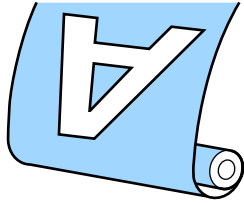


Note: Make sure the media is taut; otherwise it may not be taken up correctly.

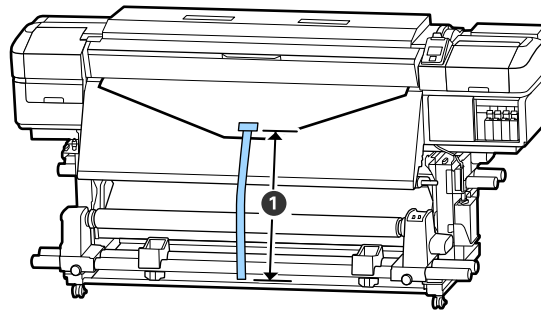
Parent topic: [Using the Auto Take-up Reel](#)

Take Up with the Printable-Side-Out

After attaching the roll core on the auto take-up reel, follow these steps to take up media with the printable side out.



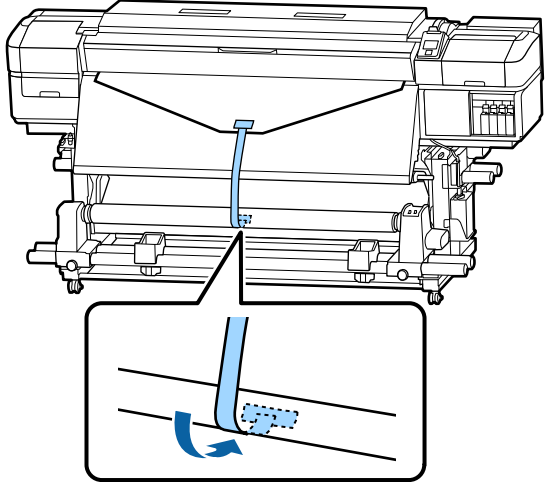
1. Cut a strip about 27.6 inches (70 cm) long from the included paper tape and attach one end to the center of the media using adhesive tape.



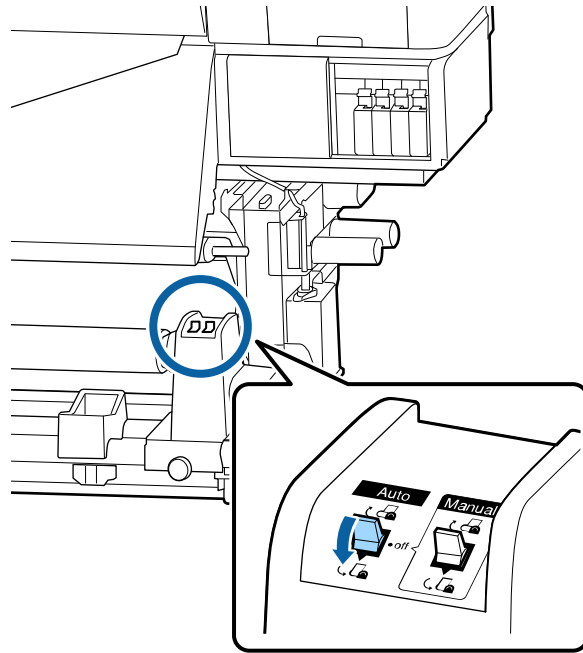
1 27.6 inches (70 cm)

Note: You can also use commercially available tape or strips cut from media to attach your media to the roll core. The paper tape or cut media strip should be about 0.8 to 1 inch (20 to 25 mm) wide and 27.6 inches (70 cm) long.

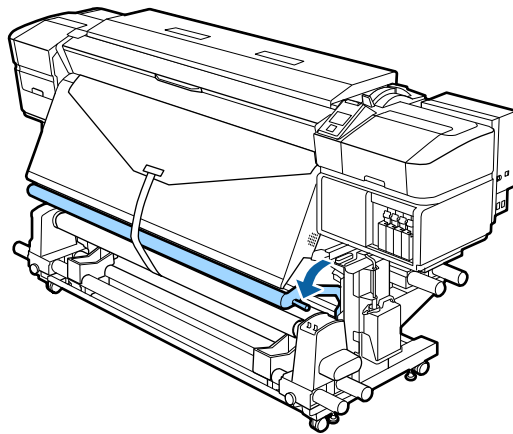
2. Pull the other end of the tape straight down and attach it to the roll core using adhesive tape as shown.



3. Set the **Auto** switch to the  position.



4. Lower the tension bar until it lightly touches the paper tape.



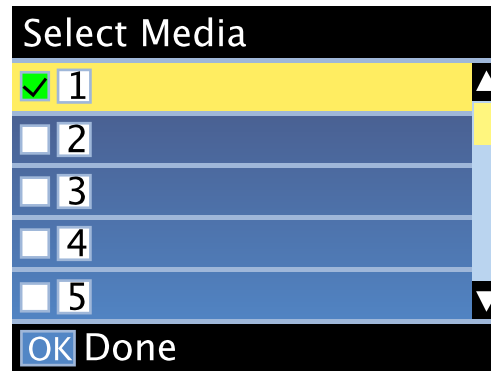
Note: Make sure the media is taut; otherwise it may not be taken up correctly.

Parent topic: [Using the Auto Take-up Reel](#)

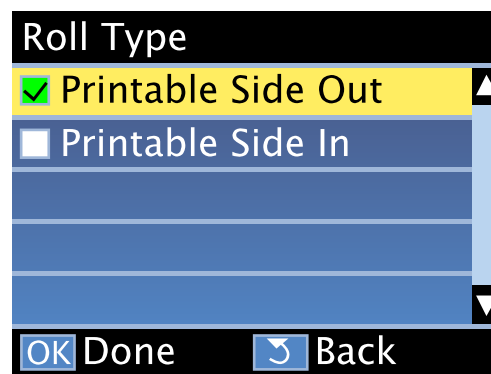
Viewing and Changing Media Settings

After you load media in your product, you can select your saved media settings on the product control panel.

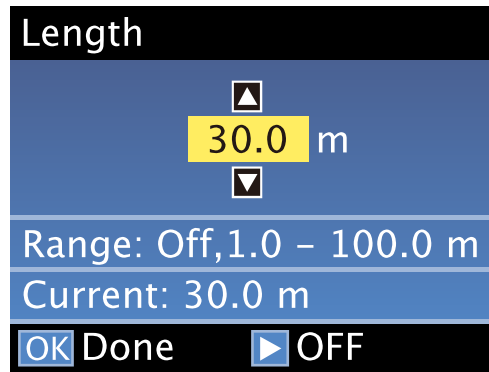
1. Press the up or down button to select the media setting number for the media you loaded and press the **OK** button.



2. Press the up or down button to select the roll type you loaded and press the **OK** button.



3. Press the up or down button to select the length of the roll you loaded and press the **OK** button.



If you turned on the **Remaining Setting** setting, you see a prompt to enter the length of the current media.

Parent topic: [Media Handling](#)

Related references

[Media Setup Menu Settings](#)

Related tasks

[Saving Sets of Media Settings](#)

Removing Printed Media

See these sections to remove the printed roll from your product.

[Printing the Amount of Media Remaining](#)

[Cutting Media](#)

[Removing Media From the Auto Take-up Reel](#)

Parent topic: [Media Handling](#)


Related references

[Used Parts Disposal Guidelines](#)

Printing the Amount of Media Remaining

After you print, you can print the amount of media remaining on the leading edge of the remaining roll. This lets you enter the number the next time you load the media for the most accurate accounting of the media remaining on each roll

Note: You must have turned on the **Remaining Setup** setting on the product control panel to calculate the amount of media remaining.

1. Make sure your product is ready to print.
2. Press the  media setup button, select **Media Remaining** in the displayed menu, and press the **OK** button.
3. Select **Print Remaining Length** and press the **OK** button.
4. Press the **OK** button to print the amount of media remaining.

Parent topic: [Removing Printed Media](#)

Related references

[Media Setup Menu Settings](#)

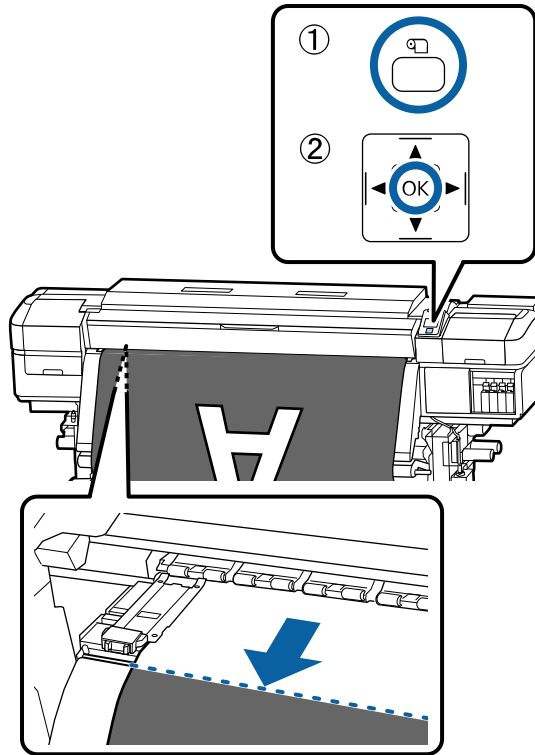
Cutting Media

When you finish printing, use a commercially available cutter to cut the media.

Warning: Be careful not to cut yourself when using cutters or other sharp blades. Also be careful touching areas near the after heater since the after heater may be hot and you could be burned.

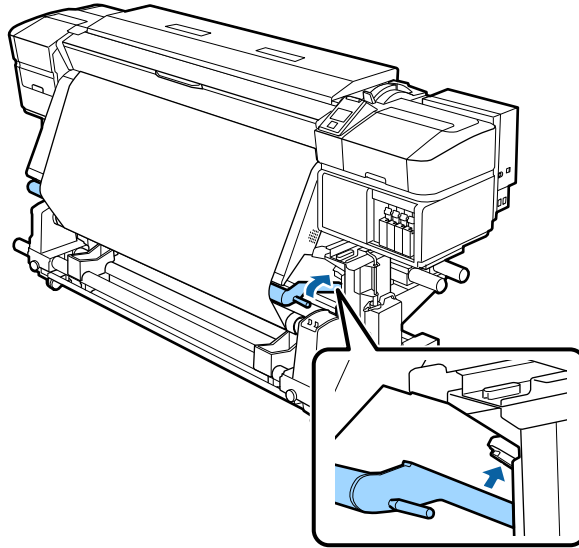
1. Press the  media setup button.

2. Select **Feed To Cut Position** and press the **OK** button. The printer feeds the media to the cutting position (cutter groove).

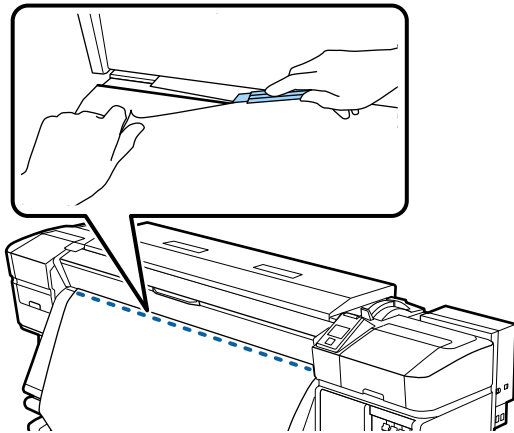


Note: If you printed the amount of media remaining onto your media, press the up arrow button to rewind the media as necessary to keep this information with the unprinted roll.



3. If you are using the auto take-up reel, raise the tension bar.

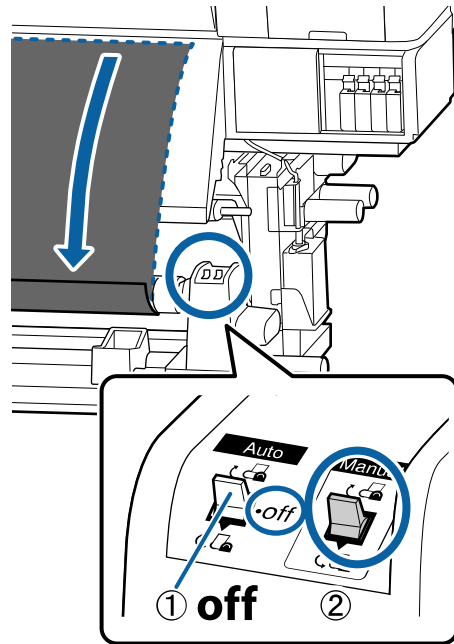


4. Use your cutting tool to cut the media along the cutting groove.



Warning: Do not place your fingers in the path of the cutting tool to avoid injuring yourself.

5. Do one of the following:
 - If you are not using the auto take-up reel, skip the remaining step.
 - If you are using the auto take-up reel, go to the next step.
6. Set the **Auto** switch to **off**, then set the **Manual** switch to take up the cut media onto the take-up reel, depending on the printable side of the media:
 - Move the switch to the  position for printable-side-out media.
 - Move the switch to the  position for printable-side-in media.

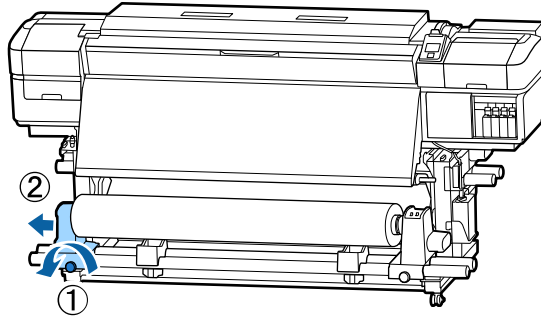


Parent topic: [Removing Printed Media](#)

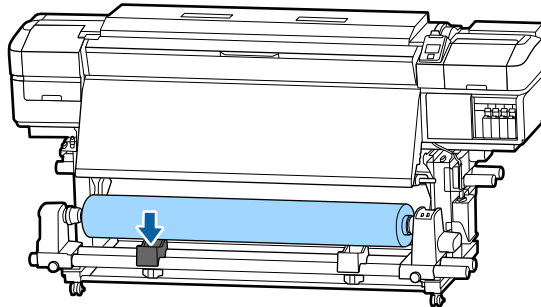
Removing Media From the Auto Take-up Reel

After printing on media loaded on the auto take-up reel, follow these steps to remove it.

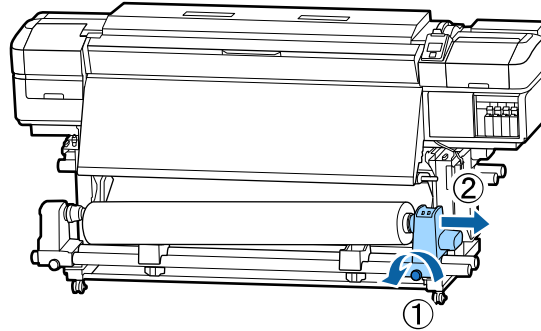
1. While supporting the left side of the media roll, loosen the left roll core holder knob and remove the roll core holder from the roll.



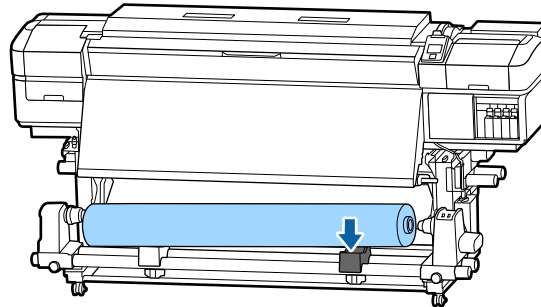
2. Lower the media roll onto the roll support.



3. While supporting the right side of the media roll, loosen the right roll core holder knob and remove the roll core holder from the roll.



4. Lower the media roll onto the roll support.



Parent topic: [Removing Printed Media](#)

Daily Tasks to Perform Before You Print

Perform these tasks before you start to print each day:

- **Check the amount of ink remaining:** If an ink cartridge is expended while printing, you can resume printing once the expended cartridge is replaced. However, you may notice a color difference in your printouts if you switch ink cartridges in the middle of a print job. For large print jobs, we recommend that you replace the low ink cartridges before printing for optimal output. The low ink cartridges you removed can be reinserted and used at a later date.

- **Shake the White or Metallic Silver ink cartridge** (SC-S80600 only): If you selected **10 Color Mode (WH)** or **10 Color Mode (MS)** for the **Change Color Mode** setting in the Maintenance menu, be sure to remove and shake the White or Metallic Silver ink cartridge to prevent sedimentation.
- **Print a nozzle check pattern**: Print a nozzle check pattern to check for clogged nozzles. If any nozzles are clogged, clean the print head.

Parent topic: [Media Handling](#)

Related concepts

[Print Head Maintenance](#)

Related references

[Printer Status Menu Settings](#)

[Maintenance Menu Settings](#)

Related tasks

[Shaking the Ink Cartridges](#)

Saving Sets of Media Settings

You can use the product's control panel to store numbered sets of media settings for each media type you use. This lets you quickly select all the necessary settings whenever you print on that media type.

Note: You can also use the Epson Control Dashboard to save media settings.

1. Press the **Menu** button.
You see the Media Setup menu on the product LCD screen.
2. Select **Media Setup** and press the **OK** button.
3. Press the up or down button to select **Easy Media Setup** and press the **OK** button.
4. Press the up or down button to select the desired media number and press the **OK** button.

Note: If you select a number with settings already saved to it, the existing settings are overwritten.

5. Enter a name for the media setting and press the **OK** button.
6. Press the up or down button to select the media type you loaded and press the **OK** button.

Note: If you select **Textile**, you need approximately 30.3 inches (770 mm) of media to print the first adjustment pattern (feed adjustment).

7. Do one of the following:

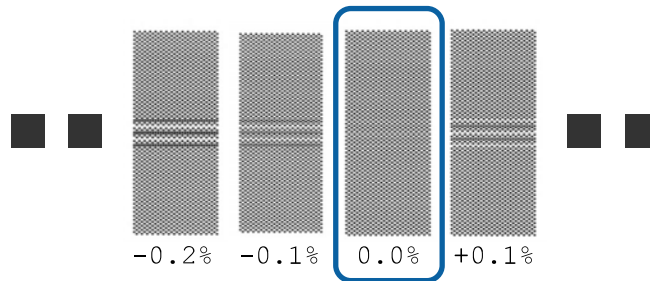
- If you want the product to automatically perform feed adjustment and head alignment, select **Auto**, press the **OK** button, and skip the remaining steps.

Note: This option is not available when **Film**, **Canvas**, **Textile**, or **Paper/Others** is selected for the **Media Type** setting.

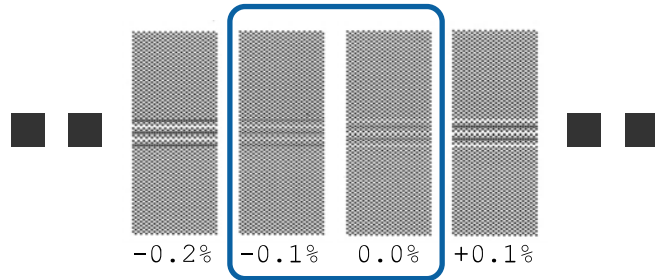
- If you want to manually perform feed adjustment and head alignment, select **Manual**, press the **OK** button, and continue with the next step.

8. Do one of the following depending on the adjustment pattern that prints:

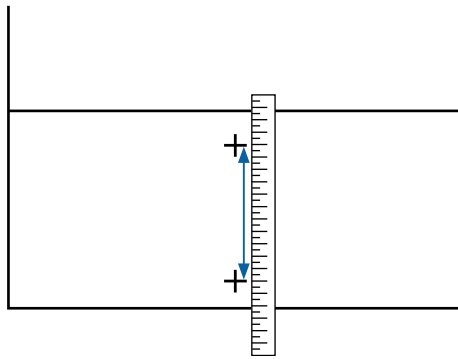
- If you see a pattern similar to the following, check the pattern for group A and B and identify the pattern with the least amount of overlap or gap for each group. Press the up or down arrow button to select the value for the pattern you identified from group A and press the **OK** button. Press the up or down arrow button to select the value for the pattern you identified from group B and press the **OK** button.



Note: If you cannot decide between two patterns, select a value halfway between the two patterns. For example, select **-0.05%** if your adjustment pattern looked like the following:

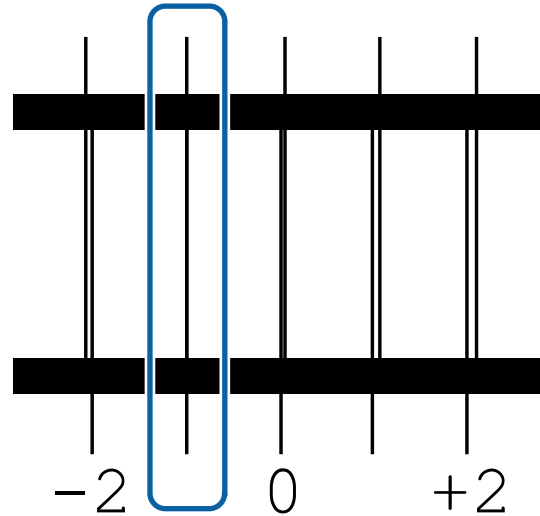


- If you see a pattern similar to the following, measure the distance between the + symbols in millimeters. Select the distance you recorded on the control panel and press the **OK** button.



The product prints a new adjustment pattern.

9. Check the printed patterns and identify the pattern with the least amount of gap between the lines in each group.



10. Press the up or down arrow button to select the value you identified in the previous step and press the **OK** button. Repeat for each group.

Parent topic: [Media Handling](#)

Related references

[Media Setup Menu Settings](#)

Related tasks

[Loading Media](#)

Tasks You Can Perform While Printing

See these sections for tasks you can perform while printing.

[Checking Consumable Status During Printing](#)

[Adjusting Heating and Drying During Printing](#)

[Correcting Banding Issues During Printing](#)

Parent topic: [Media Handling](#)

Checking Consumable Status During Printing

You can check the status of your printer's consumables (remaining ink level, waste ink bottle level, and remaining wiper units) during printing.

1. During printing, press the **Menu** button.
2. Press the up or down arrow button to select **Printer Status** and press the **OK** button.
3. Press the up or down arrow button to select the consumable for which you want to check the status and press the **OK** button.
4. Press the **OK** button when you are done.

Parent topic: [Tasks You Can Perform While Printing](#)

Adjusting Heating and Drying During Printing

You can adjust the heating and drying settings during printing.


Note: If the room temperature is too low and you send a print job with high ink density or a small number of print passes, the print job may pause while the heater warms up.

1. During printing, press the **Heat/Dry** menu button.
2. Press the up or down arrow button to select one of the following settings and press the **OK** button:
 - **Heater Temperature:** Press the left or right arrow button to select a heater, and press the up or down arrow button to set the temperature.
 - **Additional Dryer:** Press the up or down arrow button to select and change the settings.
3. Press the **OK** button when you are done.

Parent topic: [Tasks You Can Perform While Printing](#)

Correcting Banding Issues During Printing

You can correct banding issues during printing.

1. During printing, press the  media setup button.
You see the current feed adjustment value on the LCD screen.
2. Do one of the following:
 - If black bands (dark stripes) appear in your printouts, press the up arrow button to increase the feed amount.

- If white bands (pale stripes) appear in your printouts, press the down arrow button to decrease the feed amount.
3. Check your printout for banding and repeat these steps as necessary.

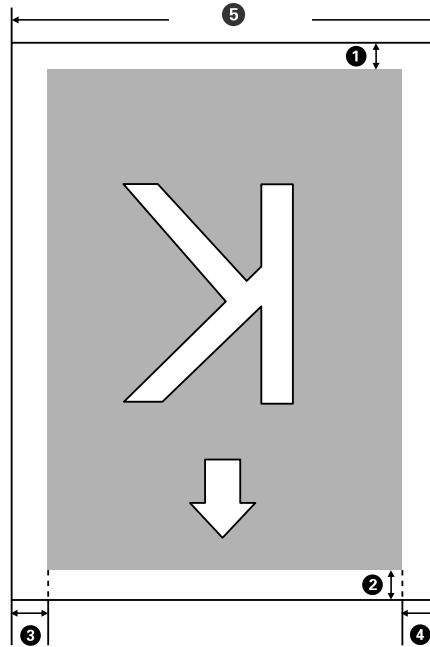
Parent topic: [Tasks You Can Perform While Printing](#)

Printable Area and Media Size Checking

The left and right edges of media recognized by your product vary depending on the **Media Size Check** setting.

- When the **Media Size Check** setting is turned on, your product automatically detects the left and right edges of the media within 0.2 inch (5 mm), as long as the media holding plates are attached correctly.
- When the **Media Size Check** setting is turned off, your product uses the longest scale on the after heater label shown here as the standard position for the right edge of the media. The left edge of the media is determined to be 64 inches (1626 mm) from the standard position for the right edge, no matter the width of the loaded media. The printable area ranges for the media are described in the table here.

Note: If you turn off the **Media Size Check** setting, printing may occur outside the edges of your media, causing ink to stain the product. Make sure your print data width does not exceed the loaded media width. When you load media to the left of the right side reference position, adjust the **Print Start Position** setting on the product control panel to match the position where the media is loaded.



1	<p>Bottom margin¹</p> <p>You can configure this margin in the RIP software from 0.2 inch (5 mm) to 0.7 inch (17 mm); if you set it below 0.2 inch (5 mm) or above 0.7 inch (17 mm), it is changed to 0.2 inch (5 mm) and 0.7 inch (17 mm) respectively to maintain feeding accuracy.</p>
2	<p>Top margin¹</p> <p>You can configure this margin in the RIP software to 0.2 inch (5 mm) and above; if you set it below 0.2 inch (5 mm), it is changed to 0.2 inch (5 mm) to maintain feeding accuracy. The margin differs depending on how far the media was pulled during loading.</p>
3	<p>Left margin^{2, 3}</p> <p>You select this margin as the Side Margin(Left) setting on the product control panel. The default setting is 0.2 inch (5 mm), but you can select from 0.12 inch (3 mm) to 0.98 inch (25 mm).</p>

4	<p>Right margin^{2, 3}</p> <p>You select this margin as the total of the values for the Print Start Position (default setting is 0) and Side Margin(Right) (default setting is 0.2 inch [5 mm]) settings on the product control panel. You can select from 0.12 inch (3 mm) to 32.5 inches (825 mm).</p>
5	<p>Media width</p> <p>11.8 to 64 inches (300 mm to 1626 mm); if Media Size Check is off, the product assumes this is 64 inches (1626 mm) regardless of the actual width.</p>

¹ The configured margin and the actual print results may differ depending on the RIP software you use. Contact the RIP manufacturer for more information.

² Depending on the RIP software, you may be able to use it to set these margins. Contact the RIP manufacturer for more information.

³ When using the media holding plates, leave margins of at least 0.4 inch (10 mm) to avoid printing over the plates. If the total of the print data width and the left and right margins exceeds the printable area, a portion of the print data will not print.

Parent topic: [Media Handling](#)

Related references

[Printer Setup Menu Settings](#)

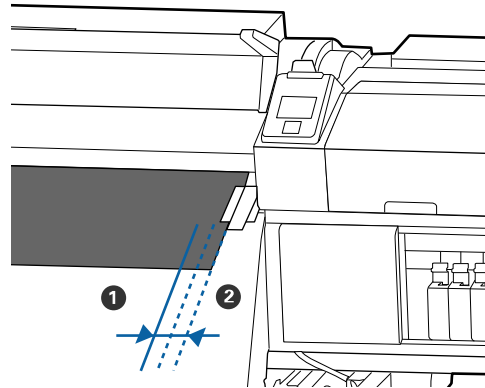
Print Start Positions

The print start positions determine where printing begins on the right and top sides of your media.

Right Side Print Start Position

The print start position for the right side of the media is dependent on the **Media Size Check** setting from the Printer Setup menu.

- When the **Media Size Check** setting is turned on, the print start position is approximately 0.4 inch (10 mm) from the right edge of the media when using the media edge plates, and 0.2 inch (5 mm) when not using the media edge plates.

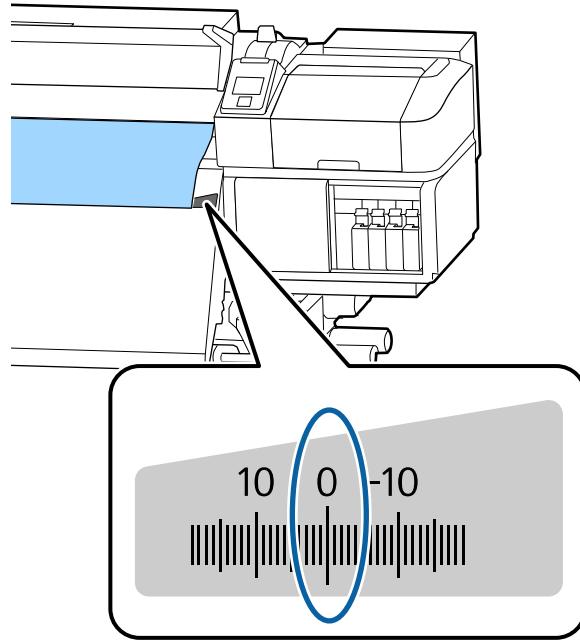


1 0.2 inch (5 mm)

2 0.2 inch (5 mm)

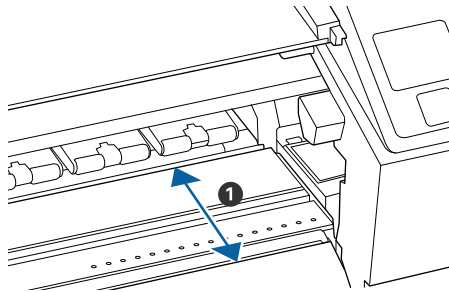
Note: You can adjust the print start position by changing the **Print Start Position** or **Side Margin (Right)** settings in the **Printer Setup** menu.

- When the **Media Size Check** setting is turned off, the print start position is indicated on the after heater.



Top Print Start Position

The print start position of the leading edge of your media is approximately 3.6 inches (92 mm) from the cutter groove toward the inside of the printer as shown.



1 3.6 inches (92 mm)

Parent topic: [Media Handling](#)

Related references

[Printer Setup Menu Settings](#)

Using the Control Panel Menus

Follow the instructions in these sections to access the printer menu system and select settings.

[Accessing the Printer's Menus](#)

[Media Setup Menu Settings](#)

[Printer Setup Menu Settings](#)

[Maintenance Menu Settings](#)

[Printer Status Menu Settings](#)

[Other Settings Menu Settings](#)

Accessing the Printer's Menus


You can use the printer menus to adjust the settings that control how your product works.

1. Press the **Menu** button on the control panel.

You see the menus on the LCD screen.


2. Press the up or down arrow button to scroll through the menus.

Note: Press the  back button to go back.

3. To change settings in the highlighted menu, press the **OK** button.
4. Press the up or down arrow button to move through the settings. Press the right or left arrow button to position the cursor when entering data on the screen.
5. To select a setting, press the **OK** button.
6. When you finish changing settings on a menu, press the  pause/cancel button to return to the main screen.

Parent topic: [Using the Control Panel Menus](#)

Media Setup Menu Settings

Settings on the Media Setup menu let you customize various adjustments for media types. You can access the menu directly by pressing the  media setup button.

Caution: Follow the instructions in the topic links below the tables to use these menu settings correctly.

Setting	Options	Description
Feed To Cut Position	—	Sends the end of your printout to the cutting groove.
Easy Media Setup	—	Set and save a variety of settings quickly and easily based on the loaded media type.
Media Remaining	Print Remaining Length	Prints the amount of media remaining on the current roll.
	Length	Enter the total roll length, from 3 to 328 ft (1 to 100 m).
	Remaining Alert	Enter the length at which the printer will alert you, from 4 to 50 ft (1 to 15 m).
Customize Settings	Current Settings	Changes settings for the currently selected media; see the next table.
	1 to 30	Changes settings for a saved media set; see the next table.
Select Media	1 to 30	Select a set of saved media settings to use for printing.

Customize Settings options

Setting	Options	Description
Setting Name	—	Enter a name up to 22 characters for the saved media settings.
Media Type	Adhesive Vinyl	Select the media type you loaded.
	Banner	
	Film	
	Canvas	
	Textile	
	Paper/Others	

Setting	Options	Description
Media Adjust	Auto	Performs media feed and head alignment adjustments. Use this setting only after trying the following first to correct printout issues: <ul style="list-style-type: none"> • Select Auto for the Media Adjust setting during Easy Media Setup • Adjust the Advanced Settings <p>Note: Auto is not displayed when Film, Canvas, Textile, or Paper/Others is selected as the Media Type setting.</p>
	Manual	
Advanced Settings	—	See the next table.
Restore Settings	Yes	Returns all settings for the selected custom paper to their default values.
	No	

Advanced Settings options

Setting	Option	Description
Platen Gap	1.6	Adjusts the gap between the media and the print head. Select 1.6 (default) for most media. Select 2.0 if your printouts are scratched or smudged. Select 2.5 if printouts are still scratched or smudged after selecting 2.0 . <p>Note: Choosing a larger gap than necessary can cause ink stains inside the printer, reduce print quality, or shorten product life.</p>
	2.0	
	2.5	

Setting	Option	Description
Heating & Drying	Heater Temperature	Adjusts the temperature for the pre-heater/platen heater and after heater.
	Drying Time Per Pass	Adjusts the time the print head pauses after each pass. Increase the drying time if the your printouts are blurry.
	After Heater Feed	Feeds media to the after heater after printing. Select Mode 1 if you plan to cut the media before the next job starts; the portion fed for drying will not be rewound before the next job starts. Select Mode 2 if you plan to print multiple jobs consecutively; the portion fed for drying will be rewound before the next jobs starts. Note: When cutting media using Mode 2, press and hold the up arrow button to rewind the end of your printout to the cutter grove before cutting.
	Additional Dryer	Enable or disable the print drying system if it is installed.
Media Tension	Lv1	Increase the media tension if creases appear in your printouts.
	Lv2	
	Lv3	
	Lv4	
Media Suction	1 to 10	Reduce the media suction if you are using thin or soft media and it feeds incorrectly, or your printouts are grainy or out of focus.
Head Movement	Data Width	Sets the range of print head movement. Select Data Width to increase the print speed by restricting movement to the printed area. Select Printer Full Width if you want more even print results.
	Printer Full Width	

Setting	Option	Description
Multi Strike Printing	Off	Select the number of times each line is printed. You may need to increase this setting when performing high-density printing using backlight films.
	1 to 8	
Feed Speed Limiter	On	Select Off for most situations to maintain print speeds. Select On if you are using thin media and it sticks, wrinkles, or tears easily during printing.
	Off	
Pressure Roller Load	Low	Select High for most situations. Select Medium or Low if you notice wrinkling around the pressure rollers, stains from the print head striking the media, or stains from the roller sticking to the media.
	Medium	
	High	
Remove Skew	On	Lets you enable paper skew reduction. Select On for most situations. Select Off if your media shows traces from the rollers due to skew correction.
	Off	
Periodic CL Cycle	Auto	Select Auto to have the printer automatically perform head cleaning based on your selected media settings. Select Manual if you want to perform head cleaning based on a set length or number of pages printed.
	Manual	

[Adjusting Media Feed and Head Alignment](#)

Parent topic: [Using the Control Panel Menus](#)

Related tasks

[Loading Media](#)

[Saving Sets of Media Settings](#)

Adjusting Media Feed and Head Alignment

You can perform media feed and head alignment adjustments using the **Media Adjust** setting in the Media Setup menu. Use this setting only after trying both of the following first to correct printout issues:

- Select **Auto** for the **Media Adjust** setting during Easy Media Setup
- Adjust the Advanced Settings in the Media Setup menu
 1. Set up your printer to use the same media type and print conditions you use for printing.
 2. Press the **Menu** button.
 3. Select **Media Setup** and press the **OK** button.
 4. Press the up or down arrow button to select **Customize Settings** and press the **OK** button.
 5. Press the up or down arrow button to select **Media Adjust** and press the **OK** button.
 6. Do one of the following:
 - If you want the product to automatically perform feed adjustment and head alignment, select **Auto**, press the **OK** button, and skip the remaining steps.

Note: You need approximately 10.6 inches (270 mm) of media to print the test pattern. This option is not available when **Film**, **Canvas**, **Textile**, or **Paper/Others** is selected for the **Media Type** setting.

- If you want to manually perform feed adjustments and head alignment, select **Manual**, press the **OK** button, and continue with the next step.
- 7. To correct banding in your printouts, select **Feed Adjustment** and press the **OK** button.
- 8. Select one of the following:
 - **Standard:** Select this option for most media.

Note: You need approximately 5.1 inches (130 mm) of media to print the test pattern. This option is not available when **Textile** is selected for the **Media Type** setting.

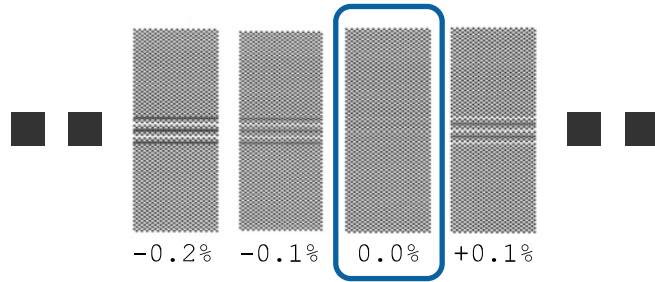
- **500mm Pattern:** Select this option when printing on uneven media (such as canvas) or on media that bleeds through easily (such as cloth) and accurate print adjustments are required.

Note: You need approximately 30.3 inches (770 mm) of media to print the test pattern.

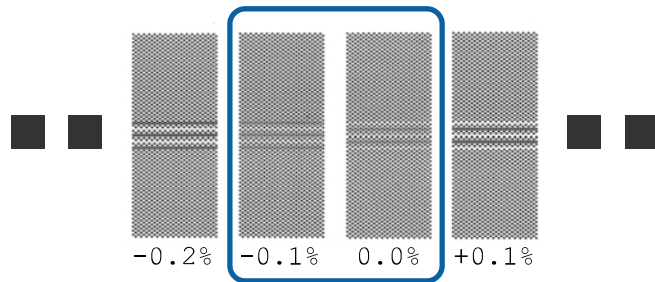
9. Press the **OK** button and wait for the adjustment pattern to finish printing.

10. Do one of the following depending on the type of adjustment pattern printed:

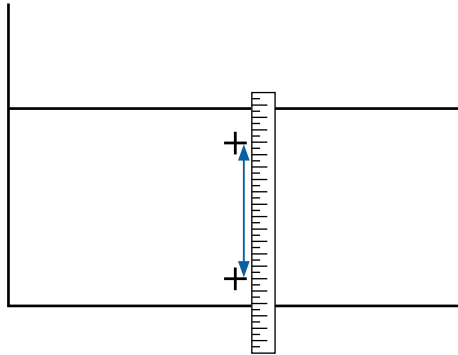
- **Standard:** Check the pattern for group A and B and identify the pattern with the least amount of overlap or gap for each group. Press the up or down arrow button to select the value for the pattern you identified from group A and press the **OK** button. Press the up or down arrow button to select the value for the pattern you identified from group B and press the **OK** button.



Note: If you cannot decide between two patterns, select a value halfway between the two patterns. For example, select **-0.05%** if your adjustment pattern looked like the following:



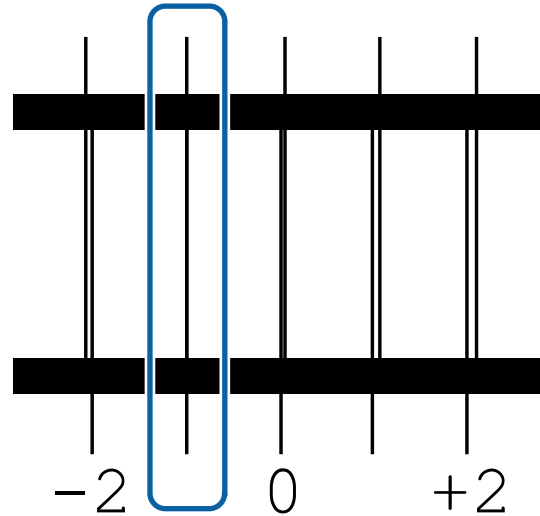
- **500mm Pattern:** Measure the distance between the + symbols in millimeters. Select the distance you recorded on the control panel and press the **OK** button.



he home screen is displayed when feed adjustment is complete.

11. Press the **Menu** button and select **Media Setup > Customize Settings > Media Adjust > Manual > Head Alignment**.
12. Press the **OK** button to print the adjustment pattern.
Wait for the pattern to finish printing.

13. Check the printed patterns and identify the pattern with the least amount of gap between the lines in each group.



14. Press the up or down arrow button to select the value you identified in the previous step and press the **OK** button. Repeat for each group.
15. Press the up or down arrow button to select the number of the media settings you selected for the currently loaded media. Then press the **OK** button.

The Media Setup screen is displayed when head alignment is complete.

Parent topic: [Media Setup Menu Settings](#)

Printer Setup Menu Settings

The Printer Setup menu lets you control margin settings, automatic cleaning cycles, and other aspects of your product's operation.

Caution: Follow the instructions in the topic links below the table to use these menu settings correctly.

Setting	Options	Description
Margin Setting	Side Margin(Right)	Selects the width of the right margin; click the link below to the printable area section for more information.
	Side Margin(Left)	Selects the width of the left margin; click the link below to the printable area section for more information.
Print Start Position	0.00 to 32.00 inches (0 to 800 mm)	Sets an additional margin on the right side of the media; click the link below to the print start position section for more information.
Media Check	Media Size Check	Automatically detects the edges of the media. Leave this setting On unless the printer displays a Media Size Error when media is loaded correctly.
	Media End Check	Automatically detects the end of the media. Leave this setting On unless the printer displays Media Out when media is loaded correctly.
	Media Skew Check	Stops printing and displays an error when skewed media is detected. Leave this setting On to avoid jams caused by skewed media.

Setting	Options	Description
Btw Pages Nozzle Check	Off	Turns off automatic nozzle checks.
	Print Pattern	Selects how often (based on the number of pages selected) to print a nozzle check pattern. You can then visually check the printed pattern to determine if the print head needs cleaning.
	Auto Nozzle Check	Automatically runs a nozzle check and cleans the print head if necessary based on the number of pages you selected. Note: Auto Nozzle Check is unavailable if your printout contains White or Metallic Silver ink (SC-S80600 only), the media you loaded is transparent, you selected 2.5 for the Platen Gap setting in the Setup menu, or your printer is exposed to direct sunlight or other ambient light sources.
Lamp Setting	Auto	Selects whether to turn on the light inside the front cover automatically or by using the ☀ light button.
	Manual	
Head Mode (SC-S60600/SC-S80600 only)	2 Heads Mode	Selects the print head to use. If you select 2 Heads Mode , you can continue printing if one of the print heads becomes clogged.
	Head1	
	Head2	
Sleep Mode	15 to 240 minutes	Selects the interval before the printer, heaters, and print drying system (if installed) enters sleep mode. The default is 15 minutes.
Restore Settings	Yes	Returns all items in the Printer Setup menu to their default settings.
	No	

Parent topic: [Using the Control Panel Menus](#)


Related references

[Printable Area and Media Size Checking](#)
[Print Start Positions](#)

Related tasks

[Checking for Clogged Print Head Nozzles](#)
[Cleaning the Print Head Nozzles](#)

Maintenance Menu Settings

The Maintenance menu lets you run nozzle checks, cleaning cycles, and other maintenance operations. You can access the menu directly by pressing the  maintenance button.

Caution: Follow the instructions in the topic links below the table to use these menu settings correctly.

Setting	Options	Description
Nozzle Check	Print At Right	Prints a nozzle check pattern in the specified location on the media.
	Print At Center	
	Print At Left	
Cleaning	Cleaning (Light)	Cleans the print head. Select the lightest cleaning level first. If nozzles are still clogged, select a heavier cleaning level.
	Cleaning (Medium)	
	Cleaning (Heavy)	
Head Maintenance	Auto Head Maintenance	Select Regular Cleaning if you see the message to perform head maintenance on the LCD screen. Select Auto Head Maintenance if the nozzles are still clogged.
	Regular Cleaning	
Replace Ink Bottle	—	Select Replace Ink Bottle if you need to replace the ink bottle before a message appears telling you to replace it on the LCD screen.
Replace Parts	—	Select Replace Parts if you need to replace parts before a message appears telling you to replace it on the LCD screen.

Setting	Options	Description
Other maintenance	Ink Circulation (SC-S80600 only)	The printer automatically circulates the White and Metallic Silver ink to help prevent sedimentation. However, when printing multiple copies of a large print job, you may notice a difference in color in your printouts if the ink is circulated in between copies. To avoid this problem, select Ink Circulation before printing.
	Ink Refresh (SC-S80600 only)	Select this option if your printouts have an uneven tint.
	Head Washing	Select this option if the nozzles are still clogged after performing all other print head cleaning options. Cleaning cartridges (not included) are required to use this feature.
	Pre-Storage Maint.	Select this option if you plan to turn off the printer and not use it for an extended period of time; click the link below to the pre-storage maintenance section for more information.
	Change Color Mode (SC-S80600 only)	Select 10 Color (WH) to use White ink, 10 Color (MS) to use Metallic Silver ink, or 9 Color if you plan on not using either White or Metallic Silver ink for an extended period of time; click the link below to the change color mode section for more information.
	Grease Carriage Rod	Lets you apply grease to the carriage rod; click the link below to the carriage rod grease section for more information.

Parent topic: [Using the Control Panel Menus](#)

Related tasks

[Checking for Clogged Print Head Nozzles](#)

[Cleaning the Print Head Nozzles](#)

[Replacing the Waste Ink Bottle](#)

[Replacing the Maintenance Parts](#)

[Performing Pre-storage Maintenance](#)

[Changing the Color Mode](#)

[Applying Carriage Rod Grease](#)

Printer Status Menu Settings

The Printer Status menu lets you track printer usage and firmware version.

Setting	Options	Description
Level	Ink	Displays the remaining amount of the selected item.
	Waste ink bottle	
	Wiper Unit	
Print Status Sheet	Print	Prints a sheet showing current printer settings.
Firmware Version	—	Displays the printer's firmware version.

Parent topic: [Using the Control Panel Menus](#)

Other Settings Menu Settings

The Other Settings menu specifies network, language, and other settings for the product.

Setting	Options	Description
Network Setup	IP Address Setting	Determines whether IP addresses are obtained automatically through DHCP or manually. Select Panel to enter an IP address, subnet mask, and default gateway address manually.
	Print Status Sheet	Prints the current network status and settings.
	Restore Settings	Returns all items in the Network Setup menu to their default settings.
Preferences	Date And Time	Sets the product's built-in clock. The time and date are used in logs and status sheets.
	Language	Selects the language displayed on the LCD screen.
	Units	Selects the unit of length and temperature displayed on the LCD screen.
Alert Sound Setting	On	Enables the alert sound when an error occurs.
	Off	
Alert Lamp Setting	On	Enables the alert light when an error occurs.
	Off	
Reset All Settings	Yes	Returns all items on the Other Settings menu (except for Preferences) to their default settings.
	No	

Parent topic: [Using the Control Panel Menus](#)

Maintenance

See the instructions in these sections to maintain your printer for optimum results.

[When to Maintain Your Product](#)

[Preparing for Maintenance](#)

[Cleaning the Platen Heater and Media Edge Plates](#)

[Performing Regular Cleaning](#)

[Shaking and Replacing Ink Cartridges](#)

[Replacing the Waste Ink Bottle](#)

[Replacing the Maintenance Parts](#)

[Replacing the Media Edge Plates](#)

[Print Head Maintenance](#)

[Performing Pre-storage Maintenance](#)

[Changing the Color Mode](#)

[Cleaning Inside the Front Cover](#)

[Cleaning the Pressure Rollers](#)

[Applying Carriage Rod Grease](#)

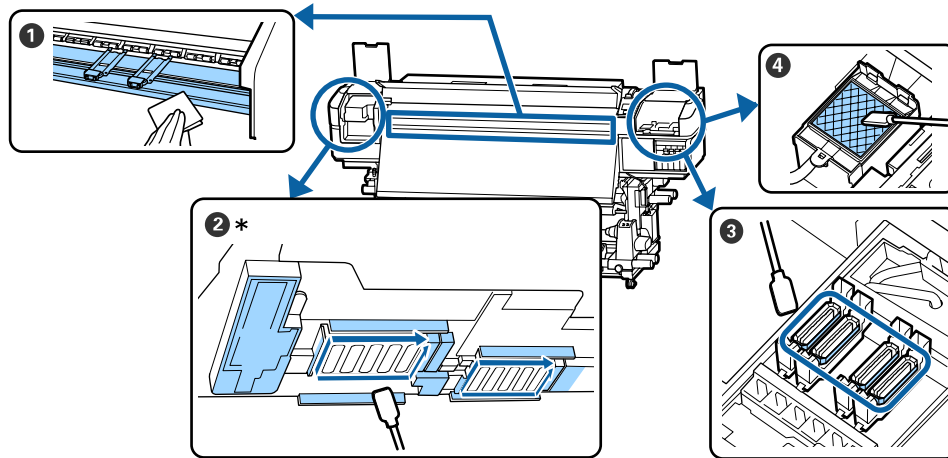
[Used Parts Disposal Guidelines](#)

When to Maintain Your Product

See the guidelines here to determine when to perform maintenance operations on your product, or replace or refill consumables. If you need to perform an operation, use the links at the end of this topic.

Note: You can set up certain maintenance operations to run automatically using settings on your product control panel.

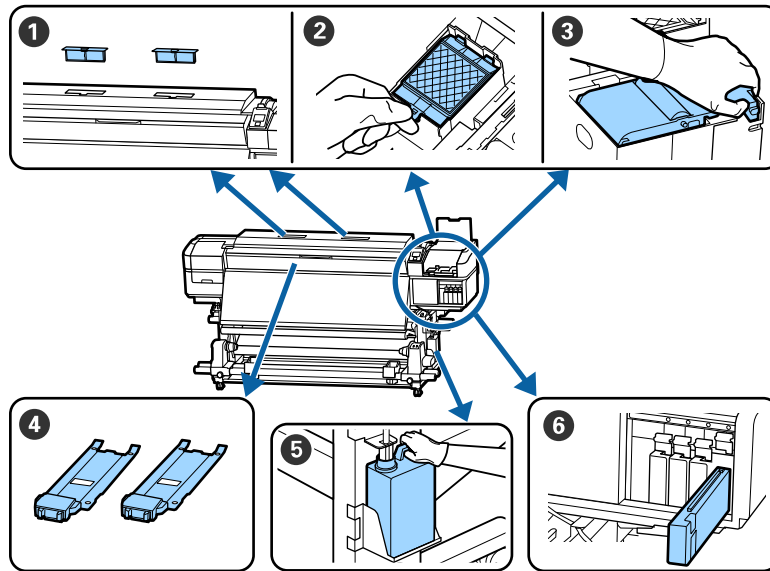
Cleaning Schedule



* SC-S40600: Right print head only

Number	Area to clean	Frequency
1	Platen heater and media edge plates	Daily
2	Around the print head	Once a month or when you see a message on the LCD screen to perform head maintenance
3	Around caps	
4	Around flushing pad	Once a month or as needed

Consumables and Parts Replacement Schedule



Number	Part to replace	Frequency
1	Air filters	When you see a message on the LCD screen to replace the part
2	Flushing pad	
3	Wiper unit	
4	Media edge plates	If the plates are deformed or damaged
5	Waste ink bottle	When you see a message on the LCD screen to replace the part
6	Ink cartridge	When you see an ink low or expended message on the LCD screen

Other Maintenance Schedule

Procedure	Frequency
Remove and shake ink cartridges	Once every 3 weeks; daily for the White and Metallic Silver ink cartridges (SC-S80600 only)
Check for clogged nozzles	Each time you print or as needed

Procedure	Frequency
Clean print head	When a clog is found after a nozzle check
Pre-storage maintenance	When you will turn off the printer and not use it for a long time
Change color mode (SC-S80600 only)	When switching between White and Metallic Silver ink cartridges or when you no longer need to use either spot color
Clean pressure rollers	If dirt from the rollers adheres to your printout
Clean inside the front cover	If it is hard to see inside the printer
Apply grease to the carriage rod	When a greasing message is displayed on the LCD screen

Parent topic: [Maintenance](#)

Related concepts

[Print Head Maintenance](#)

Related tasks

[Cleaning the Platen Heater and Media Edge Plates](#)

[Cleaning Around the Print Head](#)

[Cleaning the Anti-drying Caps](#)

[Replacing the Waste Ink Bottle](#)

[Replacing the Maintenance Parts](#)

[Replacing the Media Edge Plates](#)

[Performing Pre-storage Maintenance](#)

[Changing the Color Mode](#)

[Cleaning the Pressure Rollers](#)

[Cleaning Inside the Front Cover](#)

[Applying Carriage Rod Grease](#)

Related topics

[Shaking and Replacing Ink Cartridges](#)

Preparing for Maintenance

Before you perform any maintenance procedures, see these sections to prepare for maintenance.

[Maintenance Supplies](#)

Maintenance Precautions

Parent topic: [Maintenance](#)

Maintenance Supplies

Before performing any maintenance tasks or replacing ink, make sure you have the maintenance supplies listed here.

Protective eyewear

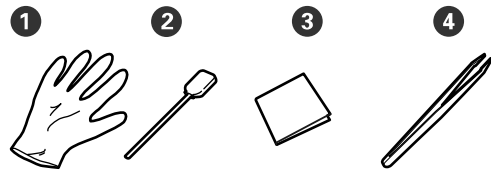
Obtain commercially available eyewear to protect your eyes from ink and ink cleaner.

Mask

Obtain a commercially available mask to protect your mouth and nose from ink and ink cleaner.

Maintenance Kit

Use the maintenance kit that came with your product for general cleaning. The kit contains the following items:



Number	Part	Quantity
1	Gloves	12
2	Cleaning sticks	20
3	Wipes	100
4	Tweezers	1

Ink cleaner

Use the ink cleaner that came with your product to wipe ink stains.

Metal tray

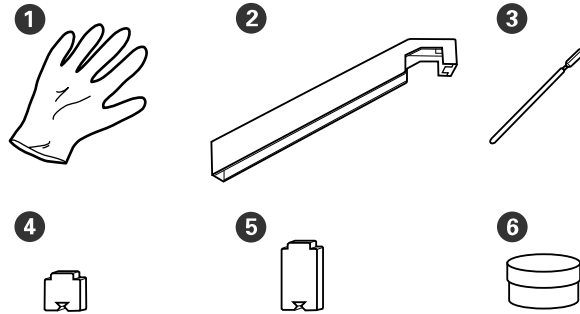
Use the metal tray that came with your product to hold cleaning tools and consumables you remove from the product.

Soft cloth

Obtain a commercially available static-free, lint-free soft cloth to clean inside the printer.

Grease Kit

Use the grease kit that came with your product to apply grease to the carriage rods.



Number	Part	Quantity
1	Gloves	16
2	Grease tool	1
3	Cleaning stick	8
4	Pad A	16
5	Pad B	16
6	Grease	2

Parent topic: [Preparing for Maintenance](#)

Maintenance Precautions

Follow these precautions as you maintain your product:

- Remove loaded media from the product before performing any maintenance tasks.
- Touch a metal object to discharge any static electricity before performing any maintenance tasks.
- Never touch the belts, cables, circuit boards, or other parts not covered in the maintenance task steps or you could adversely affect the print quality or damage your product.
- Use only the cleaning sticks included in the product maintenance kit to clean your product to avoid damaging the print head.
- Do not reuse cleaning sticks.

- Do not touch the ends of the cleaning sticks to prevent oil from your hands from damaging the print head.
- Do not use alcohol or water to clean the nozzle surface, caps, or wiper or you may damage your product.
- Store ink cartridges, cleaning cartridges, ink cleaner, grease, and waste ink out of the reach of children.
- Wear protective eyewear, gloves, and a mask when performing maintenance tasks.
- Wash your hands after performing maintenance.
- Gargle with water after replacing the waste ink bottle or using the ink cleaner.

Warning: If ink, waste ink, ink cleaner, or grease contacts your skin, or gets into your eyes or mouth, immediately do the following:

- Wash your hands after performing maintenance. Gargle your mouth as well after replacing the waste ink bottle or using the ink cleaner.
- Thoroughly wash the substance from your skin with soapy water. If your skin becomes irritated or discolored, contact a doctor.
- Immediately rinse the substance from your eyes with water to avoid bloodshot eyes or mild inflammation. If you experience eye problems, contact a doctor.
- If a substance gets in your mouth, contact a doctor immediately.
- If you swallow a substance, do not induce vomiting and contact a doctor immediately. Inducing vomiting may cause material to get in your windpipe and cause injury.

Parent topic: [Preparing for Maintenance](#)

Related references

[Maintenance Supplies](#)

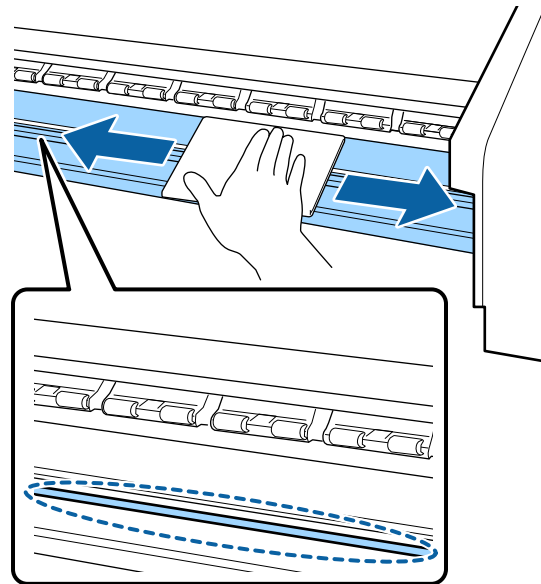
Cleaning the Platen Heater and Media Edge Plates

Carefully follow the steps here to clean the platen heater and media holding plates to remove ink, paper particles, and lint.

Warning: The heaters and media edge plates may be hot; take care not to burn yourself.

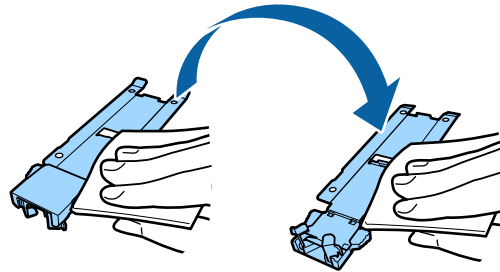
Caution:

- If ink remains on these parts, it could transfer to your printouts. Continued use of your product with ink, paper particles, or lint on these surfaces could damage the print heads or clog the nozzles.
 - Do not use the ink cleaner to clean these parts.
1. Turn off the product, wait for the LCD screen to turn off, and unplug both power cables. If the optional drying system is installed, unplug the power cable for it also.
 2. Wait for one minute, then open the front cover.
 3. Dampen a soft cloth with water and wring it out thoroughly.
 4. Use the damp cloth to clean the platen heater and inside the platen grooves.



5. Use the damp cloth to clean the media edge plates.

Note: If you are using media that contains glue, dampen the cloth with a mild detergent, wring it out thoroughly, and use it to clean the media edge plates. Remove the plates and clean both sides if necessary.



6. Plug in the power cords and turn the product back on.

Parent topic: [Maintenance](#)

Performing Regular Cleaning

Clean your product regularly to ensure the best print quality as described in these sections.

Note: If you see a message on the LCD to perform head maintenance, clean your product as soon as possible.

[Using Ink Cleaner](#)

[Moving the Print Head for Maintenance](#)

[Cleaning Around the Print Head](#)

[Cleaning the Anti-drying Caps](#)

Parent topic: [Maintenance](#)

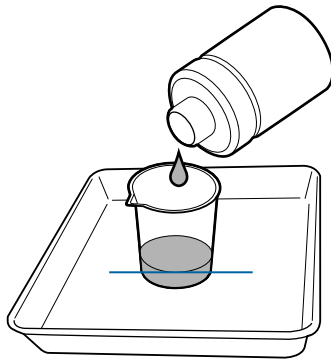
Using Ink Cleaner

Use the ink cleaner and cup that came in the maintenance kit to clean only around the print head and caps. Whenever you use the ink cleaner, follow the steps here.

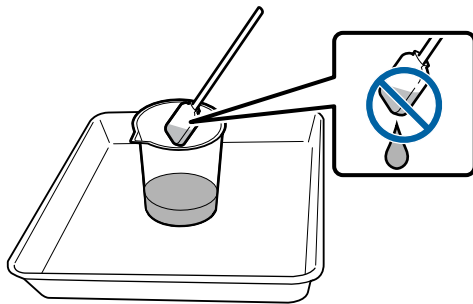
Caution: Using ink cleaner on any other parts of your product could damage the product.

Be sure to do the following:

- Store ink cleaner at room temperature and out of direct sunlight.
 - Use fresh ink cleaner with a fresh cleaning stick each time; do not reuse them.
 - Dispose of used cleaning sticks and ink cleaner according to local disposal regulations.
1. Place the cup on a tray and pour approximately 0.3 ounce (10 ml) of ink cleaner into the cup.



2. Recap the ink cleaner bottle.
3. Dip a fresh cleaning stick into the ink cleaner and let any excess cleaning solution drip into the cup.



Parent topic: [Performing Regular Cleaning](#)


Related references

[Used Parts Disposal Guidelines](#)

Moving the Print Head for Maintenance

Certain maintenance tasks require that you move the print head as described here before performing the task.

Caution: Always move the print head as described here. Do not move the print head manually or you may cause your product to malfunction.

1. When the product is turned on, press the  maintenance button on the control panel.
You see the Maintenance menu.
2. Press the up or down arrow button on the control panel to select **Head Maintenance** and press the **OK** button.
3. Press the up or down arrow button to select **Regular Cleaning** and press the **OK** button.
4. Press the **OK** button again.
A confirmation message is displayed when the print head has moved into the maintenance position.
5. Perform your maintenance task as necessary.

Note: After 10 minutes, an alarm sounds to warn you that the print head is still in the maintenance position. Press the **OK** button to continue cleaning. The alarm sounds again at 10 minute intervals if the print head is not in the home position.

Parent topic: [Performing Regular Cleaning](#)

Related references

[Maintenance Menu Settings](#)

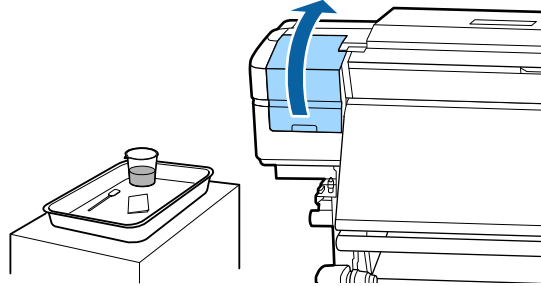
Cleaning Around the Print Head

Clean around the print head to remove any ink, lint, or dust that could affect print quality.

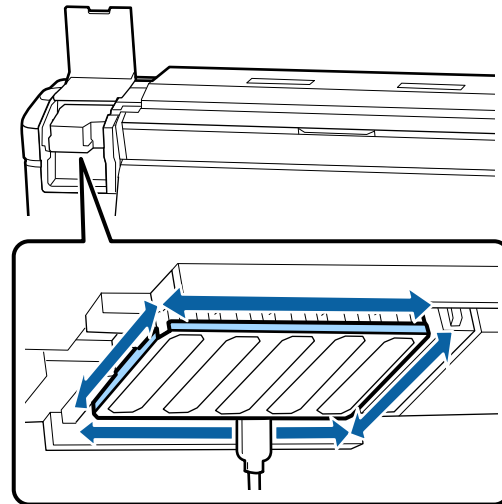
1. Move the print head into the maintenance position.

Caution: Always move the print head using the control panel. Do not move the print head manually or you may cause your product to malfunction.

2. Open the left maintenance cover.

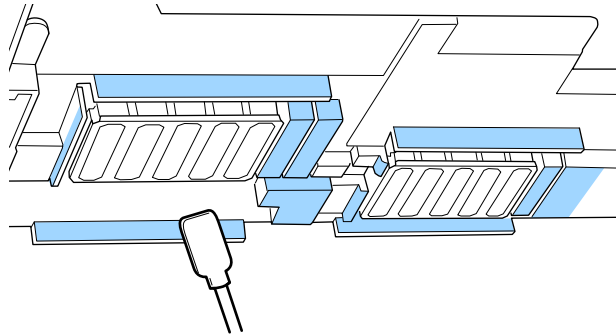


3. Dampen a new cleaning stick with ink cleaner and use it to clean the areas shown here.



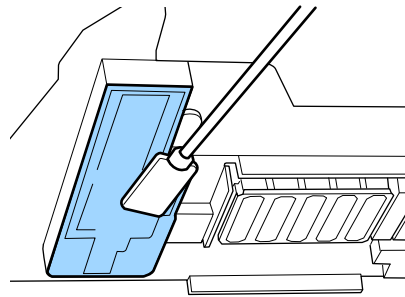
Note: Use a wipe to remove any clots of ink that form after using a cleaning stick.

4. Dampen a new cleaning stick with ink cleaner and use it to clean the areas shown here.



Note: Two print heads are shown here; the SC-S40600 comes with only the right print head.

5. Dampen a new cleaning stick with ink cleaner and use it to clean the areas shown here.



6. Close the left maintenance cover.

Parent topic: [Performing Regular Cleaning](#)

Related references

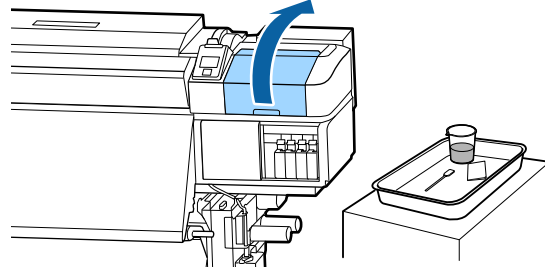
[Maintenance Menu Settings](#)

[Used Parts Disposal Guidelines](#)

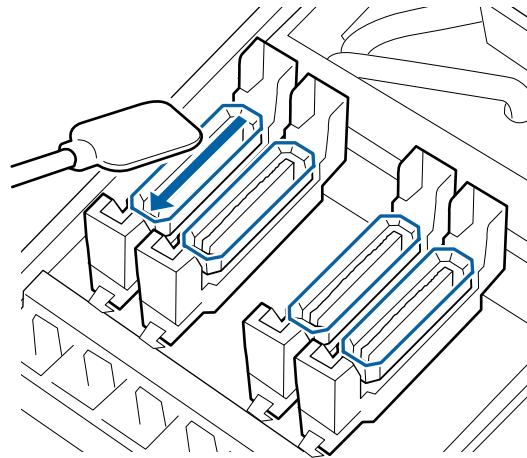
Cleaning the Anti-drying Caps

Clean the anti-drying caps to remove any ink that may affect print quality.

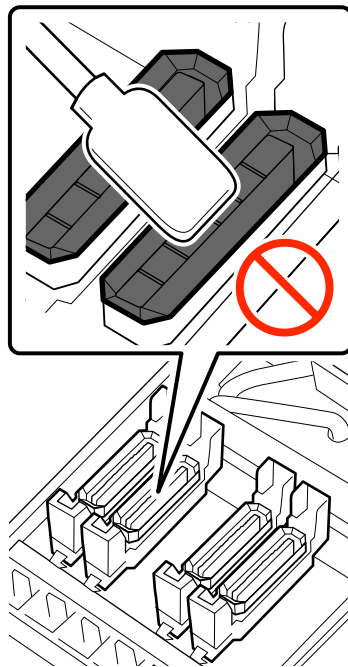
1. Open the right maintenance cover.



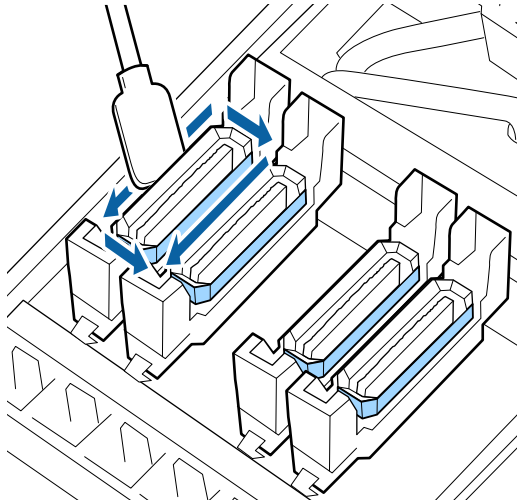
2. Dampen a new cleaning stick with ink cleaner.
3. Hold the cleaning stick flat against the top edges of the cap and wipe in the direction shown. Clean the top edges of each cap.



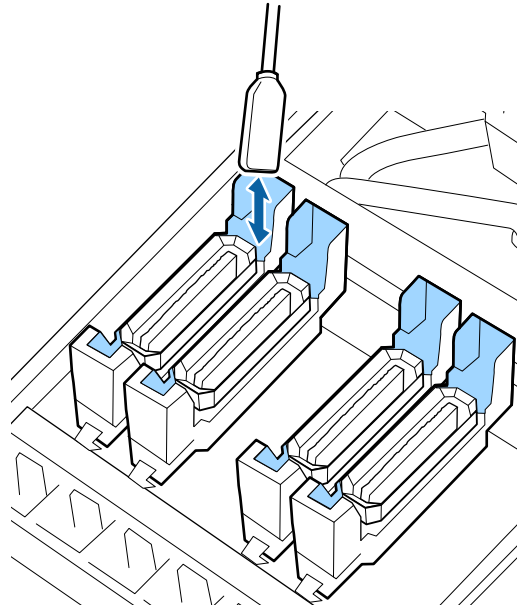
Caution: Do not press too hard against the edges of the caps or touch the inner side of the caps to avoid damaging them and preventing the print head from capping correctly.



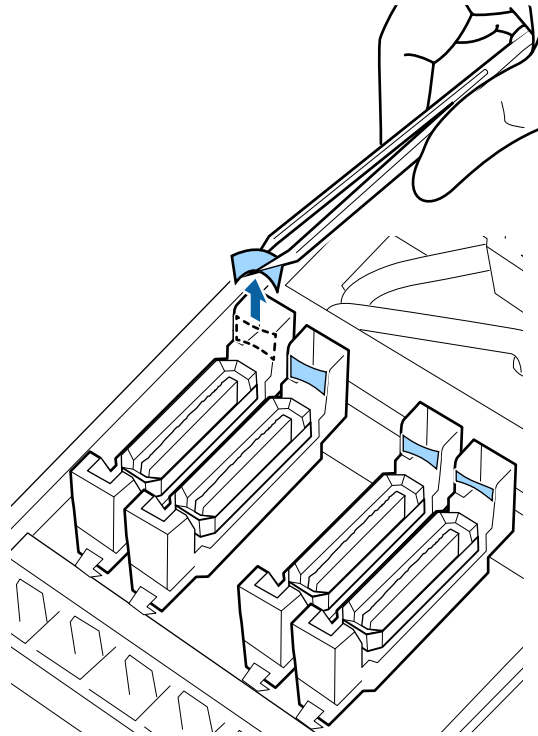
4. Use the flat side of the cleaning stick to clean the outside of each cap.



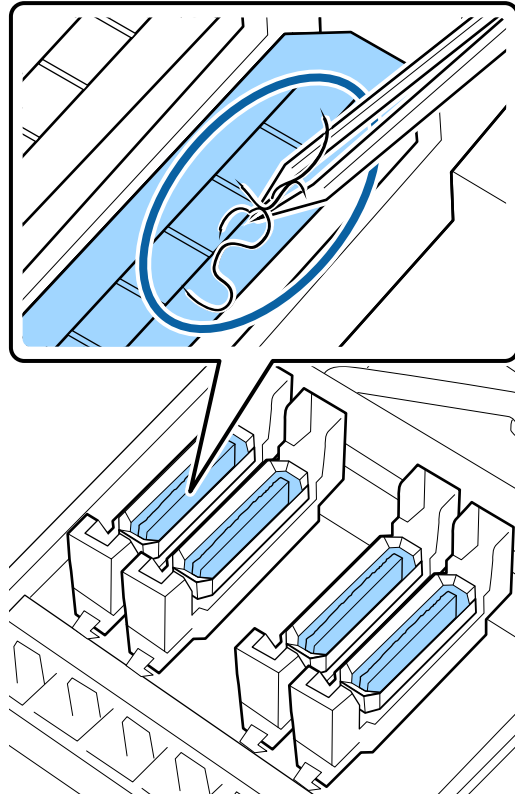
5. If the guides require cleaning, dampen a new cleaning stick with ink cleaner and use it to clean the areas shown.



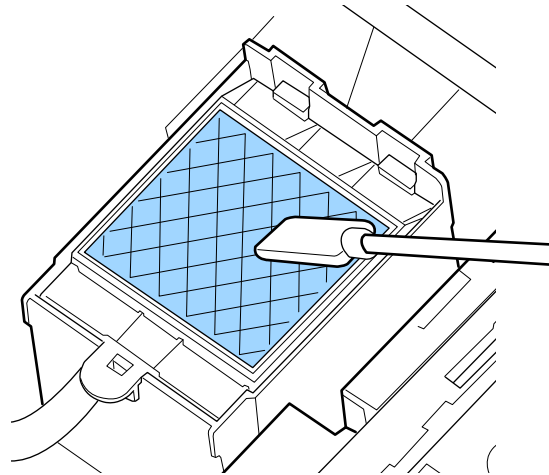
6. If a film of ink remains after cleaning with the cleaning stick, use tweezers to remove it.



7. Remove any lint or dust from the inside of the caps using the tip of a cleaning stick or tweezers.



8. Wipe off any lint or dust from the flushing pad using the tip of a cleaning stick.



9. Close the maintenance cover and press the **OK** button.

Parent topic: [Performing Regular Cleaning](#)

Related references

[Used Parts Disposal Guidelines](#)

Shaking and Replacing Ink Cartridges

See these sections to shake and replace the ink cartridges.

[Shaking the Ink Cartridges](#)

[Replacing the Ink Cartridges](#)

Parent topic: [Maintenance](#)

Related references

[Consumables and Replacement Parts](#)

[Handling Ink and Cleaning Cartridges](#)

[Ink Cartridge Safety Instructions](#)

[Used Parts Disposal Guidelines](#)

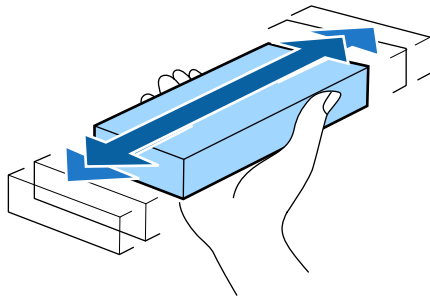
Shaking the Ink Cartridges

You must remove the ink cartridges installed in the product and thoroughly shake them once every three weeks to maintain print quality. You must shake the White and Metallic Silver ink cartridges (SC-S80600 only) daily.

Caution: Be careful handling the ink cartridge as there may be ink around the ink supply port.

Warning: If ink gets on your skin, wash it thoroughly with soap and water. If ink gets into your eyes, flush them immediately with water. If ink gets into your mouth, spit it out and see a doctor right away. Keep ink cartridges out of the reach of children.

Hold the ink cartridge horizontally and shake it about 15 times within 5 seconds.



Parent topic: [Shaking and Replacing Ink Cartridges](#)

Related references

[Handling Ink and Cleaning Cartridges](#)

[Ink Cartridge Safety Instructions](#)

Replacing the Ink Cartridges

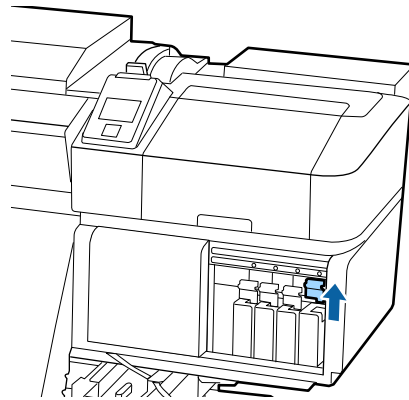
Make sure you have your replacement cartridges handy before you begin. You must install new cartridges immediately after removing the old ones.

Note: Replace all expended ink cartridges. You cannot print if any of the ink cartridges are expended or any ink slots are empty.

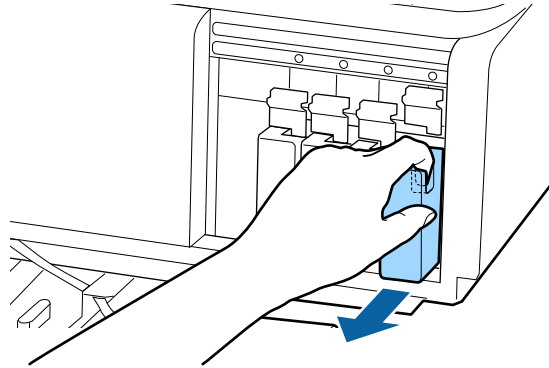
Note: Epson recommends the use of genuine Epson ink cartridges. Epson cannot guarantee the quality or reliability of non-genuine ink. The use of non-genuine ink may cause damage that is not covered by Epson's warranties, and under certain circumstances, may cause erratic printer behavior.

Caution: Leave your old cartridges in the printer until you are ready to replace them to prevent the print head nozzles from drying out. Do not open ink cartridge packages until you are ready to install the ink. Cartridges are vacuum packed to maintain reliability. If you see a message to replace the White or Metallic Silver ink cartridges (SC-S80600), replace the ink cartridge immediately or you could damage the print head.

1. Make sure the product is turned on.
2. Lift the lock lever for the cartridge that needs replacing.



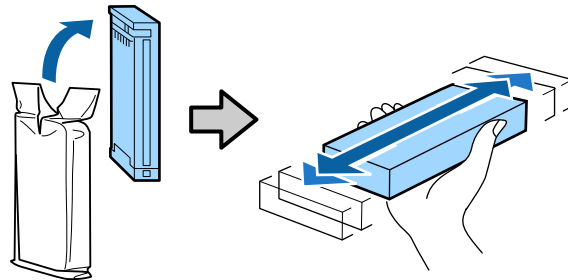
3. Insert your finger into the depression on top of the ink cartridge and pull the cartridge straight out.



Caution: Be careful handling the ink cartridge as there may be ink around the ink supply port.

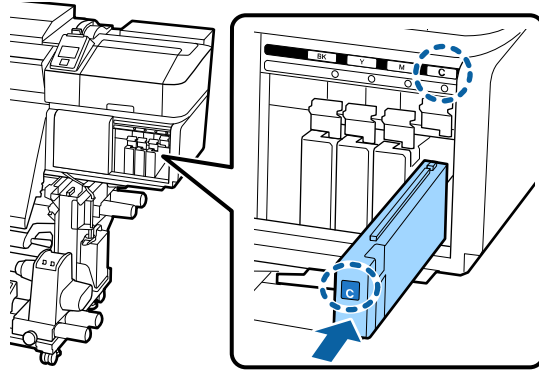
Warning: If ink gets on your skin, wash it thoroughly with soap and water. If ink gets into your eyes, flush them immediately with water. If ink gets into your mouth, spit it out and see a doctor right away. Keep ink cartridges out of the reach of children.

4. Remove the new cartridge from the package. Then gently shake the cartridge for about 15 times within five seconds. If you are replacing an Orange, White, or Metallic Silver ink cartridge, shake it about 50 times within 15 seconds.

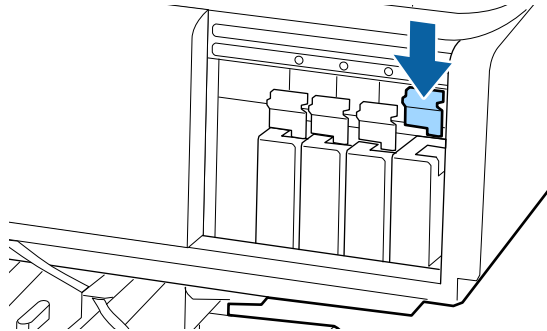


Note: Do not touch the green chip on the cartridge.

5. Make sure the labels on the cartridge and product match, then insert the cartridge into the slot.



6. Lower the lock lever.



Note: Dispose of used cartridges carefully. Do not take the used cartridge apart or try to refill it.

7. Repeat these steps for any other ink cartridges that need replacing.

Parent topic: [Shaking and Replacing Ink Cartridges](#)

Related references

[Consumables and Replacement Parts](#)

[Handling Ink and Cleaning Cartridges](#)

[Ink Cartridge Safety Instructions](#)

[Used Parts Disposal Guidelines](#)

Replacing the Waste Ink Bottle

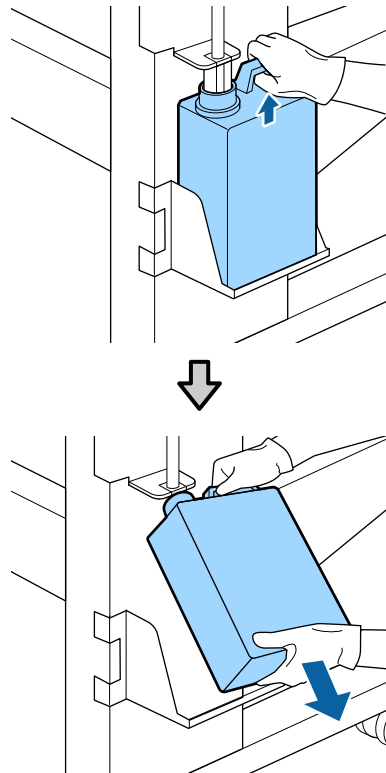
When you see a message telling you to prepare an empty ink bottle on the LCD screen, the waste ink bottle is nearly full. Make sure you have a new waste ink bottle handy.

When you see a message telling you to replace the waste ink bottle, the waste ink bottle is full and needs to be replaced.

Note: You can also replace the waste ink bottle at any time by selecting **Replace Ink Bottle** from the Maintenance menu.

Caution: Replacing the waste ink bottle during printing or cleaning could cause waste ink to leak. When replacing the waste ink bottle, always wear the gloves included in the maintenance kit. Leave the waste ink in the bottle for disposal and do not transfer it to another container.

1. Lift up the waste ink bottle and remove it from the holder.



2. Tightly seal the used waste ink tank bottle.
3. Insert the waste ink tube into the new waste ink bottle and place the bottle in the holder.

Note: Be sure the waste ink tube is inserted in the waste ink bottle or waste ink could spill onto your product. Store the cap from the new ink bottle for later use.

4. Press the **OK** button on the product control panel.
5. Press the **OK** button again to reset the waste ink counter.

Parent topic: [Maintenance](#)

Related references

[Consumables and Replacement Parts](#)

[Handling Ink and Cleaning Cartridges](#)

[Maintenance Precautions](#)

[Maintenance Menu Settings](#)

[Used Parts Disposal Guidelines](#)

Replacing the Maintenance Parts

When you see a message telling you that maintenance parts are nearing the end of their life, you need to replace the maintenance parts soon. Make sure you have a new maintenance parts kit handy.

When you see a message telling you to replace the maintenance parts, you need to replace the maintenance parts to continue printing.

Replace all the maintenance parts at the same time.

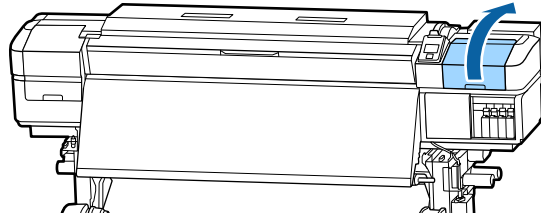
Note: You can also replace the maintenance parts at any time by selecting **Replace Parts** from the Maintenance menu.

Caution: Make sure you select **Replace Parts** or wait for the message to replace the maintenance parts to appear on the LCD screen before replacing the maintenance parts; otherwise the product's maintenance counter will not reset.

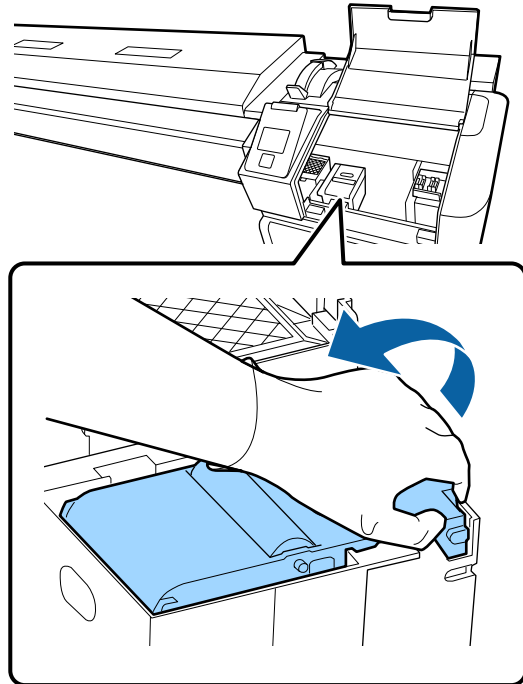
The maintenance parts kit includes the following items:

- 1 wiper unit
- 1 flushing pad
- 2 air filters

1. If you see a message to replace the maintenance parts, press the **OK** button.
2. After the print head moves to the left side of the printer, open the right maintenance cover.

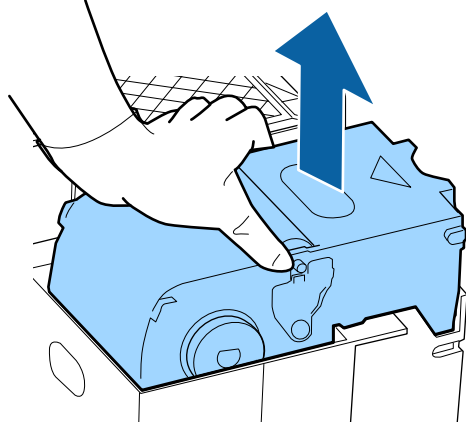


3. Put on the gloves included with the printer.
4. Place your fingers in the groove on the back of the wiper unit and tilt it forward slightly.

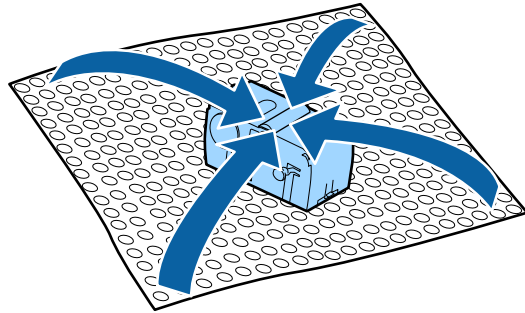


5. Unwrap the new wiper unit.

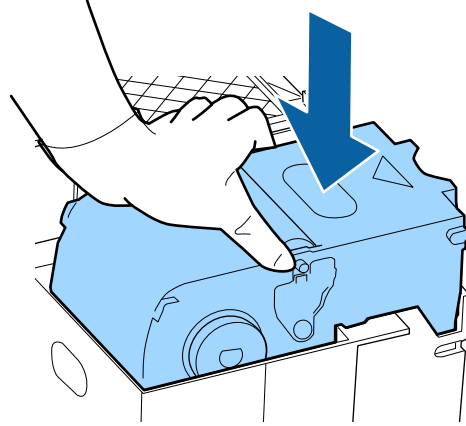
6. Grasp the sides of the wiper unit and pull it straight out.



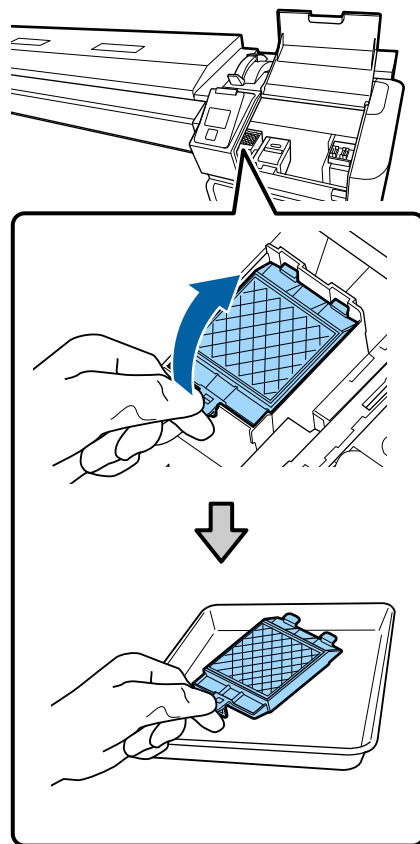
7. Use the packaging from the new wiper unit to wrap the used wiper unit.



8. Place the new wiper unit in the printer as shown and press it down until it clicks into place.

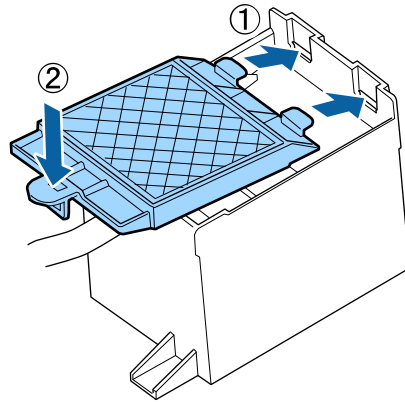


9. Lift the tab on the bottom of the flushing pad, remove the flushing pad, and place it on the metal tray.

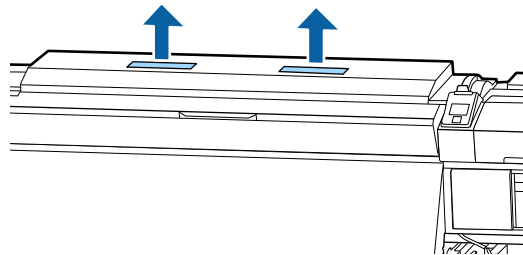


Caution: Do not place the flushing pad on the product.

10. Insert the new flushing pad into the slots on the product and press the tab down until it clicks into place.

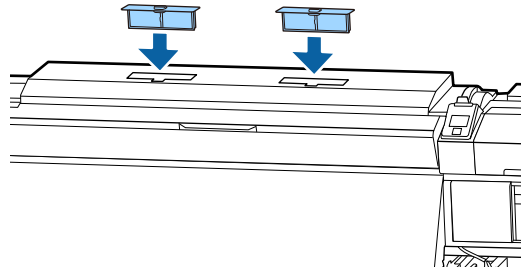


11. Press the **OK** button.
12. Remove the new air filters from their packaging.
13. Grasp the installed air filters and lift them straight out of the product.



14. Use the packaging from the new air filters to wrap the used air filters.

15. Insert the new air filters as shown.



16. Press **OK** button.
17. Close the maintenance cover and press the **OK** button.
You see a confirmation screen.
18. Select **Yes** and press the **OK** button.

Parent topic: [Maintenance](#)

Related references

[Consumables and Replacement Parts](#)

[Maintenance Precautions](#)

[Maintenance Menu Settings](#)

[Used Parts Disposal Guidelines](#)

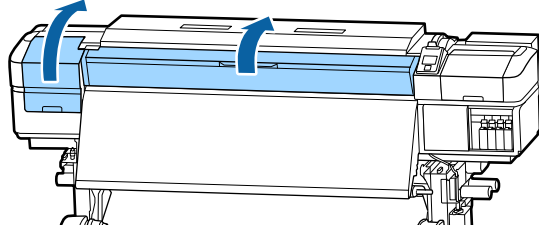
Replacing the Media Edge Plates

If the media edge plates that came with your product become damaged or deformed, you need to replace them.

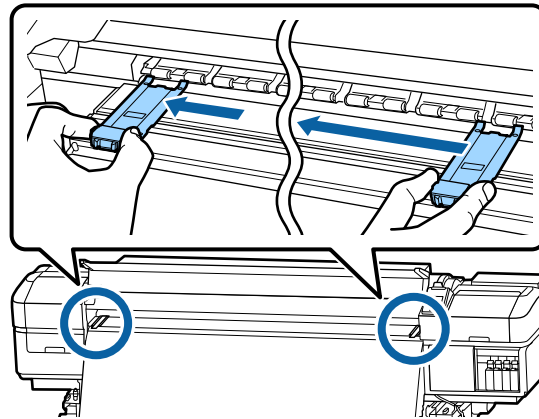
Caution: Continued use of damaged or deformed media holding plates may damage the print heads.

1. Remove any media loaded in the product.
2. Turn off the product, wait for the LCD screen to turn off, and unplug both power cables. If the optional drying system is installed, unplug the power cable for it also.

3. Wait for one minute, then open the left maintenance cover and the front cover.

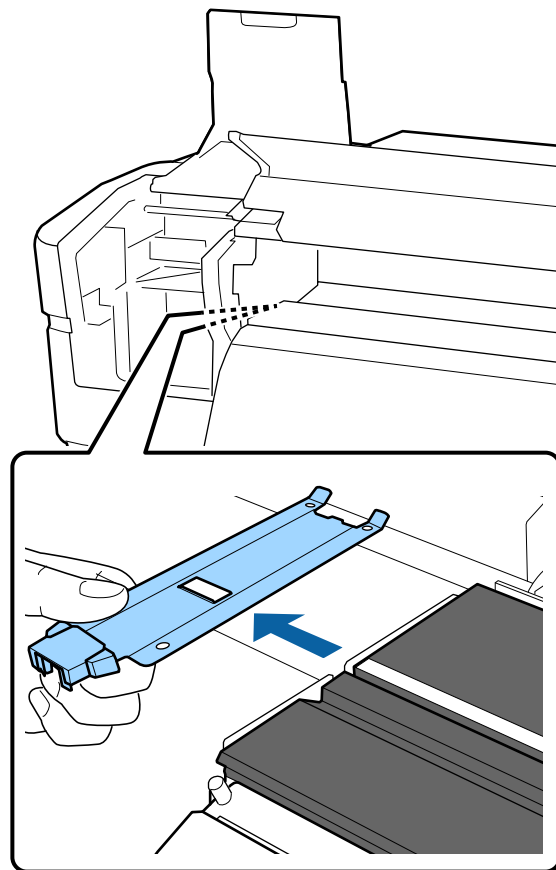


4. Grasp the tabs on the media edge plates and slide them to the left edge of the platen.

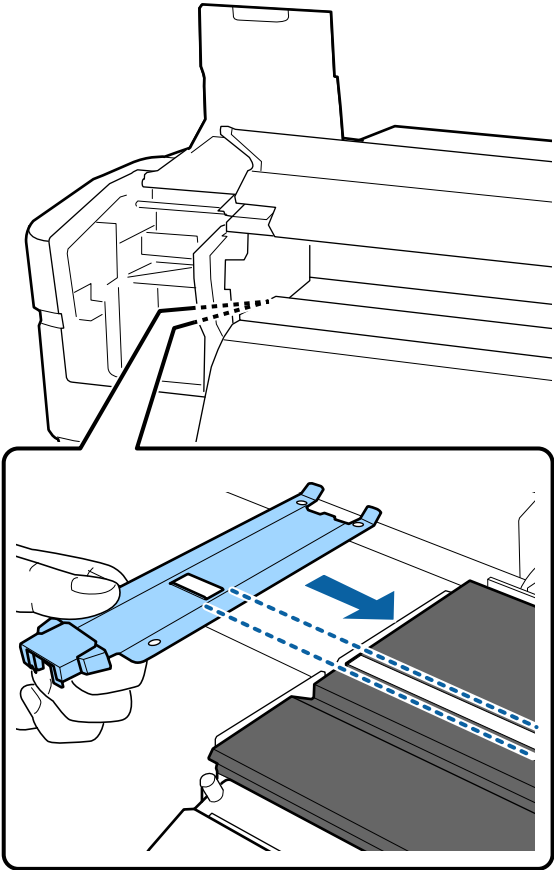


Caution: Do not remove the media edge plates on the right edge of the platen or they could drop into the product and cause it to malfunction.

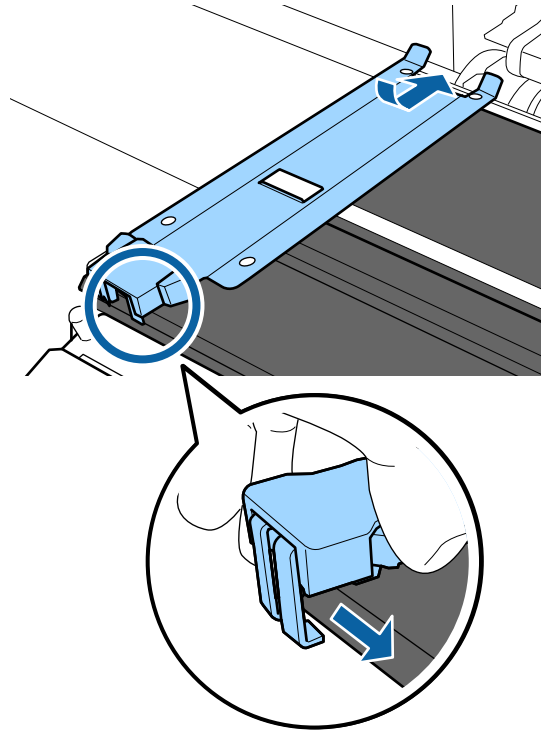
5. Remove the left media edge plate, then remove the right media edge plate in the same manner.



6. Align the white line on a new media edge plate with the edge of the platen.

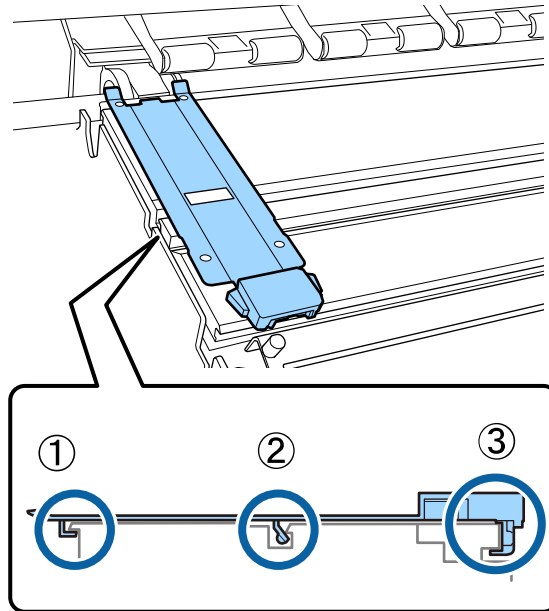


7. While pressing the tip of the media edge plate against the platen, attach the hooks to the front corner of the platen.



8. Confirm that the three hooked sections of the media edge plate are securely attached as shown here, with no gap between the plate and the platen.
- The latch at the top (1) should hook onto the corner of the platen.
 - The latch at the rear of the square hole (2) should rest in the groove on the platen.

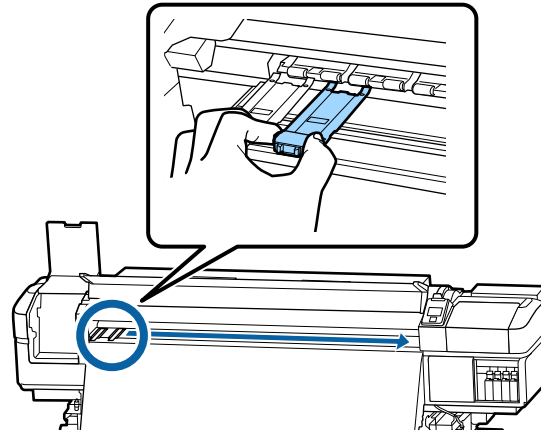
- The latch at the rear of the tab (3) should hook onto the front corner of the platen.



Caution: If the media edge plates are not attached correctly, repeat these steps to reattach them or the print head may be damaged.

9. Repeat the previous steps to align and attach the other media edge plate, confirming that it is attached correctly.

10. Grasp the tabs on the media edge plates and slide them to the left and right edges of the platen. Release the tabs when they are in position.



11. Close the left maintenance cover and the front cover.
12. Plug in the power cords and turn the product back on.

Parent topic: [Maintenance](#)

Related references

[Consumables and Replacement Parts](#)

[Maintenance Precautions](#)

Related topics

[Removing Printed Media](#)

Print Head Maintenance

Print head maintenance ensures the best print quality.

Perform the following maintenance as necessary:

- **Nozzle Check:** Check for clogged nozzles before each print job or if you have not used the printer for an extended period of time. Inspect the printed check pattern and clean the print head if you notice faint or missing areas.
- **Head Cleaning:** Clean the print head if you notice faint areas or gaps in the printed result.

[Checking for Clogged Print Head Nozzles](#)

Cleaning the Print Head Nozzles

Parent topic: [Maintenance](#)

Checking for Clogged Print Head Nozzles

To maintain optimum print quality, perform a nozzle check before printing. This lets you visually inspect the printed check pattern and clean the nozzles, if necessary. There are two ways to check the nozzles:

- Set up the product to automatically print a check pattern. You can select how often the product performs a nozzle check in the Printer Setup menu.
- Manually run a nozzle check from the product control panel, as described here.

1. Press the  maintenance button.

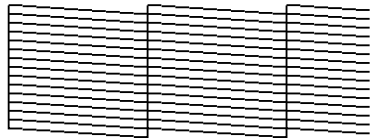
You see the Maintenance menu on the product LCD screen.

2. Select **Nozzle Check**, select the print position for the check pattern, and press the **OK** button.

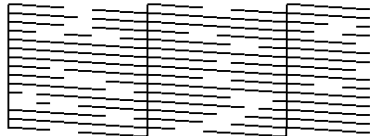
The product prints a nozzle check pattern.

3. Check the printed pattern to see if there are gaps in the lines.

Nozzles are clean



Nozzles need cleaning



4. If there are no gaps, the print head is clean and you can continue printing.

If there are gaps or the pattern is faint, clean the print head.

Parent topic: [Print Head Maintenance](#)

Related references

[Maintenance Precautions](#)

[Printer Setup Menu Settings](#)

[Maintenance Menu Settings](#)

Related tasks

[Loading Media](#)

[Cleaning the Print Head Nozzles](#)

Cleaning the Print Head Nozzles

If printouts are faint or have gaps, you should clean the print head to clear the clogged nozzles. Clean the print head only if print quality declines or image colors are incorrect. You can clean the print head when printing is paused, if necessary, but the colors in your printout may change when you resume printing.

Note: You can also set up the product to automatically clean the print head at selected intervals using the **Periodical CL Cycle** setting in the Customize Settings menu or the **Auto Nozzle Check** setting in the Printer Setup menu.

You can select from three levels of head cleaning:

- **Cleaning (Light):** Use this cleaning level first.
- **Cleaning (Medium):** Use this cleaning level if you cannot clear the clogged nozzles after cleaning with the light level.
- **Cleaning (Heavy):** Use this cleaning level if you cannot clear the clogged nozzles after cleaning with the medium level.

Note: If colors are faint or missing even after cleaning the print head, manually clean around the print head inside the product.

1. Press the  maintenance button on the control panel.

You see the Maintenance menu.

Note: To clean while printing, press the  pause/cancel button.

2. Press the up or down arrow button to select **Cleaning** and press the **OK** button.
3. Press the up or down arrow button to select the cleaning level and press the **OK** button.

4. Press the up or down arrow button to choose one of the following cleaning options:
 - **All Nozzles:** Select this option when you see faint printing or gaps in all rows of nozzles in the check pattern. Go to step 6.
 - **Head1/Head2 (SC-S60600/S80600):** Select this option when you see faint printing or gaps in only one of the print heads. Go to step 6.
 - **Selected Nozzles:** Select this option when you see faint printing or gaps in only certain rows of nozzles in the check pattern. You can select to clean multiple nozzle rows, if necessary. Go to step 5.
 5. To select the nozzle rows for cleaning, press the up or down arrow button to highlight the row number and press the **OK** button. Repeat for each row you want to clean.
 6. Select **Execute With Selection** and press the **OK** button.
Print head cleaning starts. A confirmation message is displayed when cleaning is complete.
- Note:** If you paused printing to clean the print head, printing resumes when cleaning is finished.
7. Print a nozzle check pattern or check your printout to confirm that the nozzles are cleared.

Parent topic: [Print Head Maintenance](#)

Related references

[Maintenance Precautions](#)

[Printer Setup Menu Settings](#)

[Maintenance Menu Settings](#)

Related tasks

[Checking for Clogged Print Head Nozzles](#)


Performing Pre-storage Maintenance

Perform pre-storage maintenance if you are going to turn off the product and not use it for a long time. This prevents the print head nozzles from becoming permanently clogged.

Perform pre-storage maintenance if the product will not be used for the following intervals:

- SC-S40600: 1 month or more (4 cleaning cartridges required)
- SC-S60600: 1 month or more (8 cleaning cartridges required)
- SC-S80600: a week or more for White (WH) and Metallic Silver (MS) ink cartridges (2 cleaning cartridges required); two weeks or more for all ink cartridges (10 cleaning cartridges required)

Note: If you performed pre-storage maintenance for the White and Metallic Silver ink cartridges and later need to do it for all the colors, fill the White and Metallic Silver ink first, then perform pre-storage maintenance again (SC-S80600).

1. Press the  maintenance button.
You see the Maintenance menu on the product LCD screen.
2. Press the up or down arrow button to select **Pre-Storage Maint** and press the **OK** button.
3. Select one of the following and press the **OK** button:
 - **All Nozzles**
 - **WH** (SC-S80600)
 - **MS** (SC-S80600)
4. Follow the on-screen instructions to replace the cartridges.

When you are ready to use the product again, turn it on and follow the on-screen instructions.

Note: If you re-install used ink cartridges that are low on ink, you may need additional ink cartridges to finish charging the ink system.

Parent topic: [Maintenance](#)

Related references

[Maintenance Precautions](#)

[Consumables and Replacement Parts](#)


[Maintenance Menu Settings](#)

Changing the Color Mode

You need to change the printer's color mode when switching between the White or Metallic Silver ink cartridges (SC-S80600). It takes approximately one hour to change color modes. You need a cleaning cartridge when switching between the White and Metallic Silver ink cartridges, or when switching to 9 Color Mode. (You do not need a cleaning cartridge when switching from 9 Color Mode to either of the other two color modes.)

To save on ink, switch to 9 Color Mode if you do not plan on using the White or Metallic Silver ink cartridges for 20 or more days.

Note: You may not be able to switch color modes if the cleaning cartridge, or the White or Metallic Silver ink cartridges, are low. Have new cartridges handy before switching color modes.

1. Press the  maintenance button on the control panel.
You see the Maintenance menu.
2. Press the up or down arrow button to select **Other maintenance** and press the **OK** button.
3. Press the up or down arrow button to select **Change Color Mode** and press the **OK** button.
4. Press the up or down arrow button to select a color mode and press the **OK** button.
5. Follow the instructions on the LCD screen to change the color mode.

Parent topic: [Maintenance](#)

Related references

[Consumables and Replacement Parts](#)

[Handling Ink and Cleaning Cartridges](#)

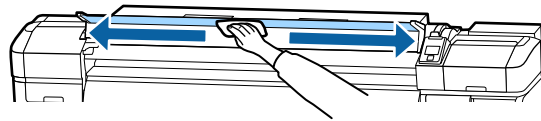
[Ink Cartridge Safety Instructions](#)

[Maintenance Menu Settings](#)

Cleaning Inside the Front Cover

You can clean the inside of the front cover if it becomes dirty.

1. Turn off the product, wait for the LCD screen to turn off, and unplug both power cables. If the optional drying system is installed, unplug the power cable for it also.
2. Wait for one minute, then open the front cover.
3. Wipe any lint or dust from the inside of the front cover using a damp, soft cloth.



4. Close the front cover.
5. Plug in the power cords and turn the product back on.

Parent topic: [Maintenance](#)

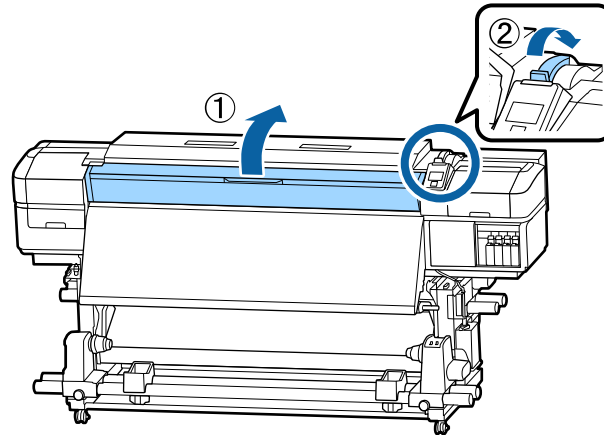
Related references

[Maintenance Precautions](#)

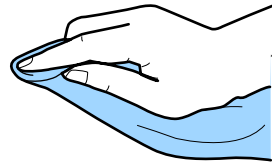
Cleaning the Pressure Rollers

Clean the pressure rollers if they become dirty. If ink remains on the rollers, it could transfer to your printouts.

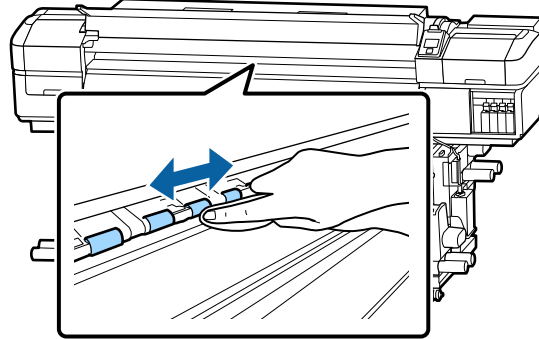
1. Turn off the product, wait for the LCD screen to turn off, and unplug both power cables. If the optional drying system is installed, unplug the power cable for it also.
2. Wait for one minute, then open the front cover and raise the media loading lever.



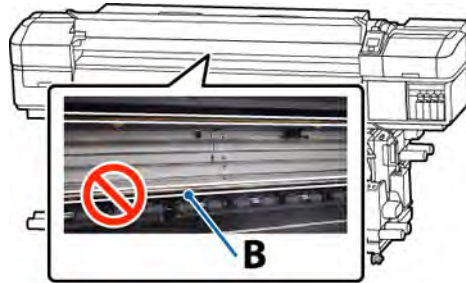
3. Dampen a soft cloth with water and wring it out thoroughly.
4. Wrap the damp cloth around your finger as shown.



5. Use the cloth to clean the pressure rollers.



Caution: Be sure not to touch the carriage rod (B) or an error may occur during printing.



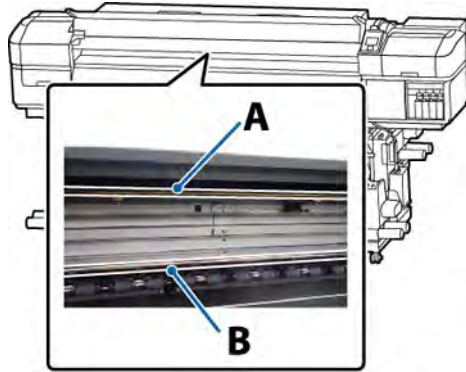
Parent topic: [Maintenance](#)

Related references

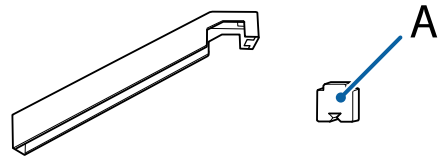
[Maintenance Precautions](#)


Applying Carriage Rod Grease

When you see the message **Apply secondary carriage rod grease** on the product control panel, you need to apply grease to carriage rods A and B using the grease and tools that came with your product. Use a new grease pad when applying grease to the carriage rods.

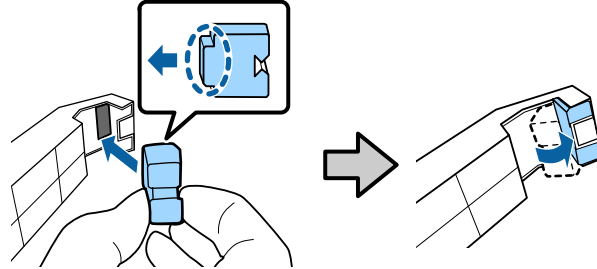


1. To grease carriage rod A, locate the grease tool and pad A that came with your product.

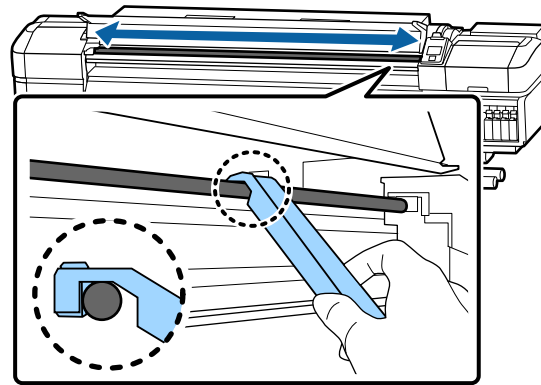


2. Press the  maintenance button.
You see the Maintenance menu.
3. Press the up button to select **Other maintenance** and press the **OK** button.
4. Press the up button to select **Grease Carriage Rod** and press the **OK** button.
You see the message **Grease kit is needed. Continue?**
5. Press the up button to select **Yes** and press the **OK** button.

6. Firmly insert the tab on pad A into the slot on the grease tool and rotate the pad onto the tool.



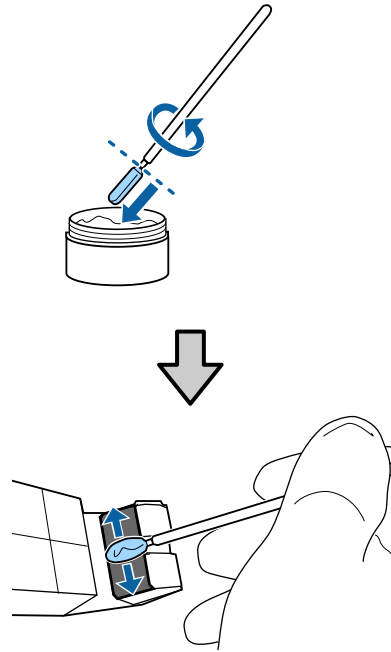
7. Open the front cover.
8. Hold the grease tool against the back of carriage rod A and smoothly slide it back and forth across the carriage rod to wipe off any stains.



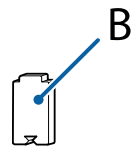
9. Remove the stained pad from the grease tool.
10. Attach a fresh pad A to the grease tool.
11. Use one of the cleaning sticks to stir the grease in the container approximately 10 times. Then wipe the tip of the cleaning stick on the edge of the container to remove the excess grease.

Note: Be sure to remove the excess grease from the cleaning stick or it may fall off the stick and onto the platen or your media.

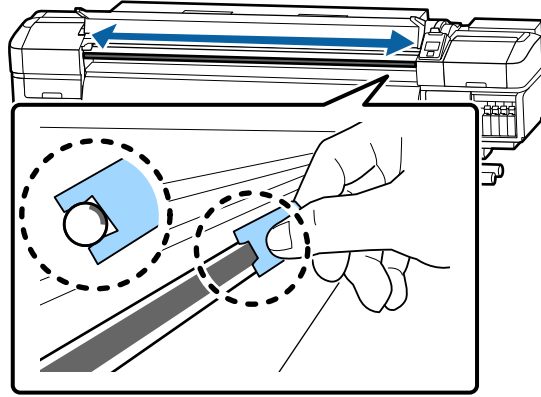
12. Fully submerge the tip of the cleaning stick into the grease, rotate the stick two or three times, and remove it from the grease. Then apply the grease to pad A on the end of the grease tool.



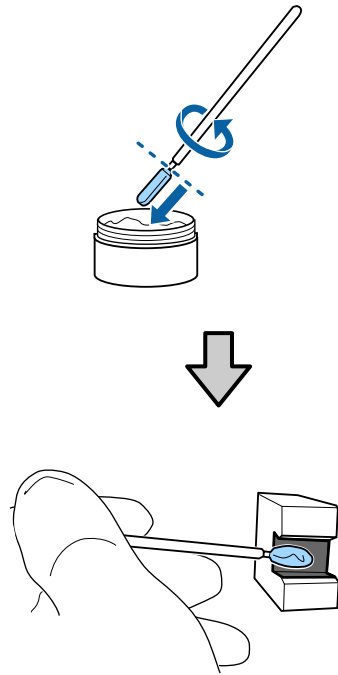
13. Hold the grease tool against the back of carriage rod A and smoothly slide it back and forth twice across the carriage rod to grease the rod, as shown in step 8.
14. To grease carriage rod B, locate pad B that came with your product.



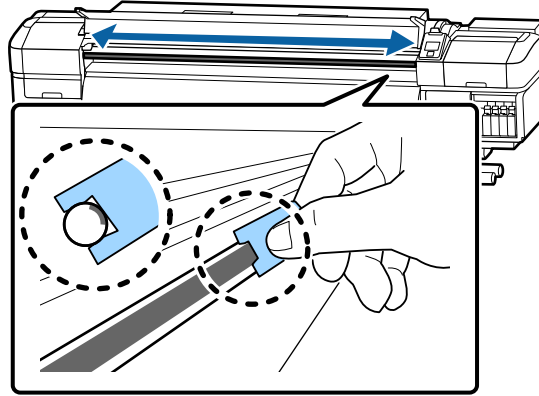
15. Hold pad B against the front of carriage rod B and smoothly slide it back and forth across the carriage rod twice to wipe off any stains.



16. Fully submerge the tip of a cleaning stick into the grease, rotate the stick two or three times, and remove it from the grease. Then apply the grease to a new pad B.



17. Hold pad B against the front of carriage rod B and smoothly slide it back and forth twice across the carriage rod to grease the rod.



18. Close the front cover and press the **OK** button on the product control panel.
The carriage moves back and forth.
19. Remove the used pad A from the grease tool, and dispose of pad A and pad B properly. Close the grease container and store it out of direct sunlight and at room temperature along with the grease tool and other supplies.

Parent topic: [Maintenance](#)

Related references

[Maintenance Precautions](#)

[Maintenance Supplies](#)

[Used Parts Disposal Guidelines](#)

Used Parts Disposal Guidelines

Follow these guidelines when disposing of used parts from your product.

Caution: The used parts in this section are classified as industrial waste. Dispose of these items according to your local laws and regulations, such as entrusting it to an industrial waste disposal

company. When handing over any used part that has waste ink on it to the industrial waste disposal company, make sure you include the Safety Data Sheet (SDS) found on the Epson support website.

- Cleaning stick
- Wipes
- Ink cleaner
- Waste ink
- Waste ink bottle
- Wiper unit
- Flushing pad
- Air filter
- Printed media

Parent topic: [Maintenance](#)

Moving or Transporting the Product

When moving the product, see these sections to prepare and move the product, and set it back up after moving it.

If you need to transport the product a long distance, contact Epson support.

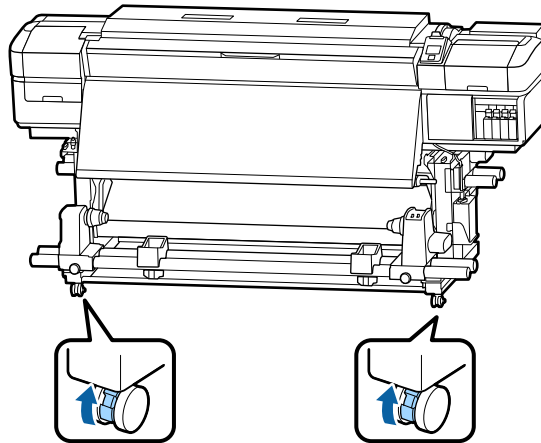
[Prepare to Move the Product](#)

[Setting Up the Product After Moving](#)

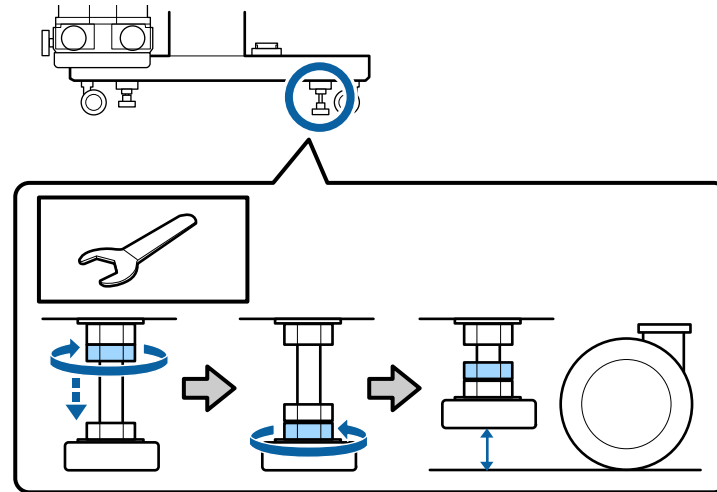
Prepare to Move the Product

Do the following before moving the product:

1. Remove any loaded media from the media feeding unit and auto take-up reel.
2. Turn off the product.
3. Remove the waste ink bottle.
4. Remove all cables.
5. Release the caster locks on the left and right legs.



6. Make sure the adjusters rest higher than the caster. If necessary, use the included wrench to loosen the nut on top of the adjuster. Then turn the nut on the bottom counter-clockwise to raise the adjuster.



7. Move the product.

Caution: Roll the product on the casters for only a short distance over a level floor. Do not transport the product using the casters. Do not tilt the product more than 10 degrees.

Parent topic: [Moving or Transporting the Product](#)

Related references

[Maintenance Precautions](#)

Related tasks

[Replacing the Waste Ink Bottle](#)

Related topics

[Removing Printed Media](#)

Setting Up the Product After Moving

Follow these steps to set up the product after moving it.

1. Verify that the location is suitable for installation.

2. Install the waste ink bottle.
3. Connect the power cables to an electrical outlet and turn on the printer.
4. Load media in the product.
5. Perform a nozzle check and confirm that there are no clogged nozzles.
6. Perform media adjustment and check the print quality.

Parent topic: [Moving or Transporting the Product](#)

Related concepts

[Print Head Maintenance](#)

Related references

[Maintenance Precautions](#)

Related tasks

[Replacing the Waste Ink Bottle](#)

Solving Problems

Check these sections for solutions to problems you may have using your product.

[Product Status Messages](#)

[Solving Printer Problems](#)

[Solving Printing Problems](#)



[Solving Print Quality Problems](#)



[Where to Get Help](#)

Product Status Messages

You can often diagnose problems with your product by checking the messages or icons on its LCD screen.

LCD screen message	Solution
Prepare empty waste ink bottle.	The waste ink bottle is almost full. Make sure you have a replacement waste ink bottle handy.
Ink Cartridge Error Ink cartridge cannot be recognized. Insert again or replace ink cartridge.	Remove and reinstall the ink cartridge. If the error recurs, replace the ink cartridge with a new one. Condensation may have formed inside the cartridge. Leave the cartridge at room temperature for at least four hours before installing it.
Ink Cartridge Error Ink cartridge cannot be detected. Insert again or replace ink cartridge.	
Ink Cartridge Error Replace cleaning cartridge.	Remove and reinstall the cleaning cartridge. If the error recurs, insert a new cleaning cartridge. Condensation may have formed inside the cartridge. Leave the cartridge at room temperature for at least four hours before installing it.
Ink Low	The ink is low. Make sure you have a replacement ink cartridge handy.

LCD screen message	Solution
Warming Up... Force to start printing	One or more heaters is warming up to the specified temperature. To start printing without waiting for the heater to warm up, press the OK button.
Command Error Check print settings on RIP.	Press the  pause/cancel button and select Job Cancel . Make sure the installed RIP software is compatible with the product.
Clogged nozzles detected. Cleaning recommended.	Perform head cleaning if necessary.
F/W Install Error Firmware update failed. Restart the printer.	Turn off the product, wait a few minutes, and turn it on again. Then reinstall the firmware again. If this message persists, contact Epson for support.
Print head is nearing end of service life.	The print head is nearing the end of its service life. Contact Epson for support.
Auto Take-up Reel Unit stopped.	Press the  pause/cancel button and select Job Cancel to cancel printing. Then set the Auto switch on the auto take-up reel to the off position, set it back to the original position, and reattach the media to the auto take-up reel.
Media Size Error Load correct size media.	Raise the media loading lever and remove the currently loaded media. Be sure the media is at least 11.8 inches (300 mm) wide. If this message appears even when the media is the correct width, turn off the Media Size Check setting and try printing again.

LCD screen message	Solution
Media Sensor Error Loaded media or sensor has a problem.	Press the  pause/cancel button to clear the message. The Auto Media Adjust , Auto Nozzle Check , and Media Adjust settings in Easy Media Setup are not available under the following conditions: <ul style="list-style-type: none"> • Loaded media is transparent or colored • Loaded media has an uneven surface • Loaded media bleeds through easily • Platen Gap setting is set to 2.5 • The printer is exposed to direct sunlight or interference from other ambient light sources If necessary, set the Auto Media Adjust , Auto Nozzle Check , and Media Adjust settings manually.
Media Sensor Error Adjust manually?	
Roll Type Error Release and then reset the media loading lever, then match Roll Type setting to actual media.	Make sure the Roll Type setting matches the loaded roll type.
Press  maintenance and perform Head Maintenance.	This message is displayed when regular cleaning has not been performed for more than one month.
3 layer printing is only available with 2 Head Mode	Set the product to use both print heads (SC-S60600/S80600 only) by selecting 2 Heads Mode as the Head Mode setting in the Printer Setup menu.
Maintenance Request Replace Part Soon or Replace Part Now XXXXXXXXXX	The product part indicated is nearing or at the end of its service life. Contact Epson for support and provide them with the service code shown on the LCD screen. You must replace the part before printing again. If you continue to print, a call for service occurs.

LCD screen message	Solution
<p>Call For Service XXX Error XXX</p> <p>Power off and then on. If this doesn't work, note the code and call for service.</p>	<p>A call for service occurs when:</p> <ul style="list-style-type: none"> • The power cable is not connected securely • An error occurs that cannot be cleared <p>When a call for service has occurred, the printer automatically stops printing. Turn off the printer, disconnect the power cable from both the outlet and the printer, and then reconnect them. Turn the printer on and off several times. If the same call for service is displayed on the LCD screen, contact Epson for support and provide them with the service code shown on the LCD screen.</p>

Parent topic: [Solving Problems](#)

Related concepts

[Print Head Maintenance](#)

Related references

[Where to Get Help](#)

[Printer Setup Menu Settings](#)

[Consumables and Replacement Parts](#)

Related tasks

[Replacing the Waste Ink Bottle](#)

[Replacing the Ink Cartridges](#)

Solving Printer Problems

Check these sections if you have problems operating your product.

[Printer Does Not Turn On](#)

[LCD Screen Shuts Off](#)

[After Heater Shuts Off](#)

[Forgot the Administrator Password](#)

[Red Light Shines Inside the Printer](#)

Parent topic: [Solving Problems](#)

Printer Does Not Turn On

If the printer does not turn on, try these solutions:

- Make sure the power cable is securely connected.
- Make sure the power outlet works by connecting the power cable for another electronic device.

Parent topic: [Solving Printer Problems](#)

LCD Screen Shuts Off

If the LCD screen shuts off intermittently, the printer may be in Sleep Mode. Try these solutions:

- Press any of the buttons on the control panel to reactivate the display. Then perform a hardware operation such as opening the printer cover or sending a job to the printer.
- You can adjust the delay time before the product enters sleep mode in the Printer Setup menu.

Parent topic: [Solving Printer Problems](#)

Related references

[Printer Setup Menu Settings](#)

After Heater Shuts Off

If the after heater turns off automatically, try these solutions:

- Press any of the buttons on the control panel to reactivate the display. Then perform a hardware operation such as opening the printer cover or sending a job to the printer.
- You can adjust the time before the after heater turns off in the control panel to lengthen the time before they turn off automatically.

Parent topic: [Solving Printer Problems](#)

Related references

[Printer Setup Menu Settings](#)

Forgot the Administrator Password

If you forgot the administrator password you created during network setup, contact Epson for support.

Parent topic: [Solving Printer Problems](#)

Related references

[Where to Get Help](#)

Red Light Shines Inside the Printer

The red light always shines inside the printer. This is normal.

Parent topic: [Solving Printer Problems](#)

Solving Printing Problems

Check these sections if you have problems printing with your product.

[Nothing Prints](#)

[Cannot Print Over a Network](#)

[Print Head Moves But Nothing Prints](#)

[Printing Continues After Media Roll Empties](#)

[Removing Jammed Media](#)

Parent topic: [Solving Problems](#)

Nothing Prints

If you have sent a print job and nothing prints, try these solutions:

- Make sure your printer is turned on.
- Make sure any interface cables are connected securely at both ends. If you have a spare cable, try connecting with the spare cable.
- Check the model and specifications of the interface cable to see if the cable is appropriate for your computer and printer.
- If you connected your printer to a USB hub, make sure it is a first-tier hub. If it still does not print, connect your printer directly to your computer instead of the hub.
- Make sure the USB hub is recognized correctly on the computer. Disconnect all USB hubs from the computer and connect the printer directly to the computer's USB port.
- Make sure the USB cable length does not exceed 10 feet (3 m).

Parent topic: [Solving Printing Problems](#)

Cannot Print Over a Network

If you cannot print over a network, try these solutions:


- Make sure that your printer is turned on.

- If you are using TCP/IP, make sure the printer's IP address is set correctly for your network. If your network does not assign IP addresses using DHCP, set the IP address manually.
- Check your wired LAN router or access point to see if the LED for the port to which your printer is connected is on or flashing. If the link LED is off, try the following:
 - Make sure the Ethernet cable is securely connected to your printer and to your router, access point, switch, or hub.
 - Try connecting your printer to a different port or a different router, access point, switch, or hub.
 - Try connecting with a different Ethernet cable.
 - Try printing to your printer from another computer on the network.

Parent topic: [Solving Printing Problems](#)

Print Head Moves But Nothing Prints

If the print head is moving and nothing prints, try these solutions:

- Print a nozzle check pattern. If the pattern does not print correctly, clean the print head again. (If the printer has not been used for a long time the nozzles may be clogged.)
- If you see the message **Circulating ink** on the product's LCD screen, the printer is automatically circulating the White or Metallic Silver ink cartridges to prevent sedimentation. Wait a few moments for the message to disappear or press the **II**  pause/cancel to cancel the process.

Parent topic: [Solving Printing Problems](#)

Related concepts

[Print Head Maintenance](#)

Printing Continues After Media Roll Empties

If printing does not stop when the media roll ends, make sure the **Media End Check** setting is set to **On**. For best results, leave this setting turned on.

Parent topic: [Solving Printing Problems](#)

Related references

[Printer Setup Menu Settings](#)

Removing Jammed Media

If media jams in the printer, check the following:

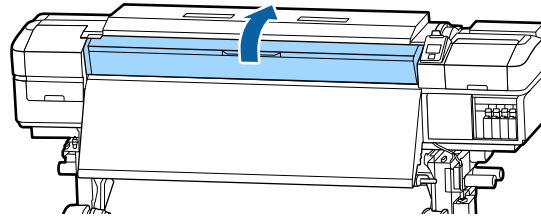
- Make sure the media is not curled, creased, or folded on the leading edge. Do not use media that exhibits these problems.
- Check the media specifications to make sure you can use the media with your printer and your RIP software. Check the RIP software manufacturers media guidelines.

Follow the steps here if media becomes jammed in the product.

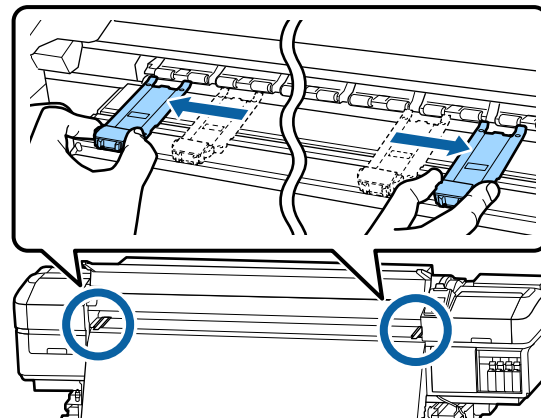
1. Turn off the printer.

Note: If you see a message on the product control panel and the product will not turn off, unplug the power cable.

2. Open the front cover.

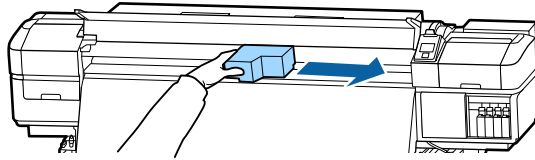


3. Grasp the tabs on the media holding plates and slide them to the left and right sides.

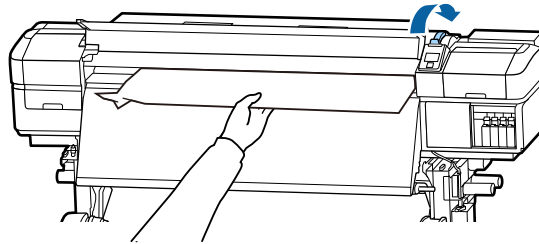


Caution: If the media holding plates are deformed or damaged, do not continue to use them or you could damage the pressure rollers or print heads. Replace the media holding plates before continuing with these steps to remove jammed media.

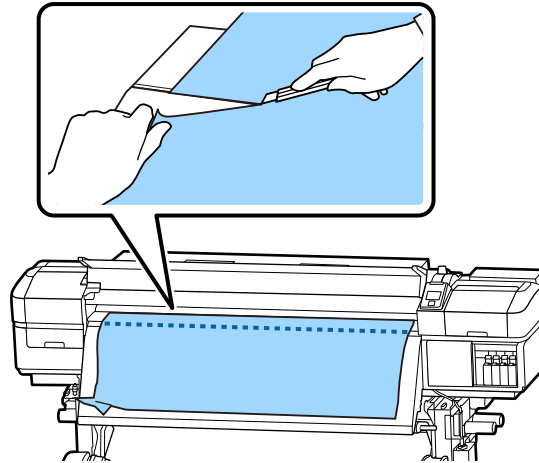
4. If the print head is over the media, move it away from the jam area by hand.



5. Raise the media loading lever.



6. Pull the media to the cutter groove and cut off the torn or creased media from the roll.



7. Manually rewind the media.
8. Remove any media that remains inside the product.
9. Turn the product back on, load media, run a nozzle check and, if necessary, clean the print heads.

Caution: Do not leave the product turned off with the print heads in an uncapped position for an extended period. The print heads may dry out and the product may not print properly.

Parent topic: [Solving Printing Problems](#)

Related concepts

[Print Head Maintenance](#)

Related references

[Media Setup Menu Settings](#)

Related tasks

[Loading Media](#)

[Replacing the Media Edge Plates](#)

Related topics

[Removing Printed Media](#)

Solving Print Quality Problems

Check these sections if you have problems with print quality.

[Nozzle Check Pattern Prints Incorrectly](#)

[Overall Print Quality Is Poor](#)

[Image is not Positioned Correctly on the Media](#)

Parent topic: [Solving Problems](#)

Nozzle Check Pattern Prints Incorrectly

If the nozzle check pattern does not print correctly, try these solutions:

- Clean the print head and print the check pattern again.
- If the printer has not been used for a long time, nozzles may be dried and clogged. Turn the printer on at least once every two weeks to prevent the nozzles from clogging.

Parent topic: [Solving Print Quality Problems](#)

Related tasks

[Checking for Clogged Print Head Nozzles](#)

[Cleaning the Print Head Nozzles](#)

Overall Print Quality Is Poor

If you notice that your print quality is uneven, too light, too dark, or there are vertical or horizontal lines in the print (banding), try these solutions:

- Run a nozzle check to see if any of the print head nozzles are clogged. Then clean the print head, if necessary.
- Align the print head.
- Perform Feed Adjustment for the media. For the most accurate adjustment, print a test pattern using the **Manual > 500mm Pattern** setting. The same media in a different width may require different adjustment values.
- Use genuine Epson ink cartridges and make sure the cartridges have not expired.
- Raise the temperature of the after heater, and give the heater and your media time to warm up before printing again.
- Make sure the media settings in your RIP software are correct for the media you are using.
- Set the **Head Movement** setting to **Printer Full Width** on the product control panel for higher quality printouts.

- If you are comparing the print result with the image on your computer screen, the colors may not match. Since monitors and printers produce colors differently, printed colors and screen colors do not always look the same.
- Make sure that the printer cover is closed. Do not open any printer covers during printing. This can cause the print head to stop abruptly, resulting in uneven color.
- If you are printing with the White or Metallic Silver ink cartridges, remove and shake the ink cartridge, reinstall the ink cartridge, and perform **Ink Circulation** from the Maintenance menu several times (SC-S80600).

Parent topic: [Solving Print Quality Problems](#)

Related concepts

[Print Head Maintenance](#)

Related references

[Media Setup Menu Settings](#)

[Maintenance Menu Settings](#)

[Consumables and Replacement Parts](#)

Related tasks

[Adjusting Heating and Drying During Printing](#)

Image is not Positioned Correctly on the Media

If the printed image is not positioned correctly on your media, try these solutions:

- Make sure you loaded the media correctly and selected the correct margin and start positions for it on the product control panel.
- Turn on the **Media Skew Check** and **Media Size Check** settings on the product control panel to prevent your image from printing outside the printable area.

Parent topic: [Solving Print Quality Problems](#)

Related references

[Printer Setup Menu Settings](#)

Related tasks

[Loading Media](#)

Where to Get Help

Epson provides technical support and information on the installation, configuration, and operation of professional printing products through the Epson Preferred Limited Warranty Plan. Dial (888) 377-6611,

6 AM to 6 PM, Pacific Time, Monday through Friday. Days and hours of support are subject to change without notice.

Note: If you experience difficulty with the toll-free number, call (562) 276-1305 (U.S.) or (905) 709-3481 (Canada).

Before you call, make sure you have your printer serial number and proof of purchase.

Visit Epson's [U.S. support website](#) or [Canadian website](#) and select your product for solutions to common problems. You can download drivers, firmware, and documentation, get FAQs and troubleshooting advice, or e-mail Epson with your questions.

Note: For help using any other software on your system, see the documentation for that software for technical support information.

Purchase Supplies and Accessories

You can purchase genuine Epson ink, paper, and accessories from an Epson authorized reseller. To find the nearest reseller, visit proimaging.epson.com (U.S.) or epson.ca (Canada), or call 800-GO-EPSON (800-463-7766).

Parent topic: [Solving Problems](#)

Technical Specifications

These sections list the technical specifications for your product.

Note: Epson offers a recycling program for end of life Epson products. Please go to [this site](#) for information on how to return your Epson products for proper disposal.

[Epson Control Dashboard System Requirements](#)

[Printing Specifications](#)

[Electrical Specifications](#)

[Environmental Specifications](#)

[Dimension Specifications](#)

[Interface Specifications](#)

[Ink Cartridge Specifications](#)

[Media Specifications](#)

[Safety and Approvals Specifications](#)

Epson Control Dashboard System Requirements

To use Epson Control Dashboard, your computer should meet these requirements.

Note: Make sure to disable your computer's hibernate or sleep mode or the software will not be able to monitor your printer correctly.

Windows

Microsoft Windows OS version (32- and 64-bit compatible)	Windows Vista, Windows 7, Windows 8.x, Windows 10
CPU	Intel Core 2 Duo 2.0 GHZ or better
Memory	1GB or more
Hard disk space available	100MB or more

Interface	High-Speed USB port compatible with USB 2.0 Specification
	Ethernet 1000BASE-T
Display resolution	XGA (1024 × 768) or higher
Browser	Windows Internet Explorer (latest version recommended)

OS X

OS X version	OS X 10.6.x, 10.7.x, 10.8.x, 10.9.x, 10.10.x, 10.11.x
CPU	Intel Core 2 Duo 2.0 GHZ or better
Memory	1GB or more
Hard disk space available	100MB or more
Interface	High-Speed USB port compatible with USB 2.0 Specification
	Ethernet 1000BASE-T
Display resolution	SXGA (1280 × 1024) or higher
Browser	Safari 4 or later

Note: Visit Epson's support website at epson.com/support (U.S.) or epson.ca/support (Canada) for the latest in compatibility and drivers for your product.

Parent topic: [Technical Specifications](#)

Printing Specifications

Printing method	On-demand ink jet
Nozzle configuration	SC-S40600: 360 nozzles × 2 × 4 colors
	SC-S60600: 360 nozzles × 2 × 2 rows × 4 colors
	SC-S80600: 360 nozzles × 2 rows × 10 colors

Resolution	1440 × 1440 dpi maximum
Control code	ESC/P raster (undisclosed command)
Media feed method	Friction feed
Built-in memory	SC-S40600/S60600: Main memory: 512MB Network: 128MB SC-S80600: Main memory: 2GB Network: 128MB

Parent topic: [Technical Specifications](#)

Electrical Specifications

Power supply rating	100 to 120 V
(printer and print drying system)	200 to 240 V
Rated frequency range	50/60 Hz
(printer and print drying system)	
Rated current	100 to 120 V model: 10 A
(printer)	200 to 240 V model: 5 A
Rated current	100 to 120 V model: 1 A
(print drying system)	200 to 240 V model: 0.5 A

Power consumption

SC-S40600:

Printing: approximately 480 W (ISO/IEC24712)

Ready mode: approximately 330 W

Sleep mode: approximately 12 W

Power off mode: 1.5 W

SC-S60600 (with print drying system):

Printing: approximately 745 W (ISO/IEC24712)

Ready mode: approximately 445 W

Sleep mode: approximately 13 W

Power off mode: 1.8 W

SC-S80600:

Printing: approximately 650 W (ISO/IEC24712)

Ready mode: approximately 380 W

Sleep mode: approximately 14 W

Power off mode: 1.5 W

Parent topic: [Technical Specifications](#)

Environmental Specifications

Temperature

Operating: 59 to 95 °F (15 to 35 °C); 68 to 95 °F (20 to 35 °C) recommended

Storage: -4 to 104 °F (-20 to 40 °C), within a month at 104 °F (40 °C)

Humidity

(non-condensing)

Operating: 20 to 80% RH (40 to 60% recommended)

Storage: 5 to 85% RH

Parent topic: [Technical Specifications](#)

Dimension Specifications

Height

SC-S40600/S80600:

Stored: 52.7 inches (1338 mm)

Printing: 65.7 inches (1670 mm)

SC-S60600:

Stored: 52.7 inches (1338 mm)

Printing: 65.7 inches (1670 mm)

Width

SC-S40600/S80600:

Stored: 103.1 inches (2620 mm)

Printing: 103.1 inches (2620 mm)

SC-S60600:

Stored: 103.1 inches (2620 mm)

Printing: 103.1 inches (2620 mm)

Depth

SC-S40600/S80600:

Stored: 34.6 inches (880 mm)

Printing: 42.9 inches (1090 mm)

SC-S60600:

Stored: 38.3 inches (972 mm)

Printing: 45.2 inches (1147 mm)

Weight

(without ink)

SC-S40600:

615.1 lb (279 kg)

SC-S60600:

641.5 lb (291 kg)

SC-S80600:

626.1 lb (284 kg)

Parent topic: [Technical Specifications](#)

Interface Specifications

USB Interface	Hi-Speed USB-Compatible with the Universal Serial Bus Specifications Revision 2.0
Network Interface	100Base-TX/1000Base-T (requires a shielded twisted pair cable, category 5 or higher)

Parent topic: [Technical Specifications](#)

Ink Cartridge Specifications

Color	SC-S40600/S60600: Black, Cyan, Magenta, Yellow SC-S80600: Black, Cyan, Magenta, Yellow, Orange, Red, Light Black, Light Magenta, Light Cyan, White/Metallic Silver
Cartridge life	Opened package: 6 months Unopened package: do not use if the date on the package has expired
Temperature	Uninstalled: -4 to 104 °F (-20 to 40 °C); within 4 days at -4 °F (-20 °C), within a month at 104 °F (40 °C) Installed: -4 to 104 °F (-20 to 40 °C); within 4 days at -4 °F (-20 °C), within 4 days at 104 °F (40 °C) In transit: -4 to 140 °F (-20 to 60 °C); within 4 days at -4 °F (-20 °C), within a month at 104 °F (40 °C), within 72 hours at 140 °F (60 °C)
Capacity	White (SC-S80600): 600 ml Metallic Silver (SC-S80600): 350 ml All other colors: 700 ml

Note: For best printing results, use up a cartridge within 6 months of opening the package.

Parent topic: [Technical Specifications](#)

Related references

[Consumables and Replacement Parts](#)

Media Specifications

Print quality is greatly affected by the type and quality of media used. Always test a sample of media before purchasing large quantities or printing large jobs.

Note: Do not use media that is wrinkled, scratched, torn, or dirty.

Roll media

Roll core size	2 or 3 inches (50.8 to 76.2 mm)
Roll outer diameter	Up to 9.8 inches (250 mm)
Media width	11.8 to 64.0 inches (300 to 1626 mm)
Media thickness	Up to 0.04 inch (1 mm)
Roll weight	Up to 99.2 lb (45 kg)

Cut media

Media width	11.8 to 64 inches (300 to 1626 mm)
Media length	19.7 inches (500 mm) or longer
Media thickness	Up to 0.04 inch (1 mm)

Parent topic: [Technical Specifications](#)

Safety and Approvals Specifications

United States	Safety: UL60950-1 EMC: FCC part 15 Subpart B class A
Canada	Safety: CAN/CSA C22.2 No. 60950-1 EMC: CAN/CSA-CEI/IEC CISPR 22 Class A

Parent topic: [Technical Specifications](#)

Notices

Check these sections for important notices about your product.

Note: Epson offers a recycling program for end of life Epson products. Please go to [this site](#) for information on how to return your Epson products for proper disposal.

[Important Safety Instructions](#)

[FCC Compliance Statement](#)

[Software License Terms](#)

[Trademarks](#)

[Copyright Notice](#)

Important Safety Instructions

Before using your Epson product, read and follow these safety instructions.

[General Product Safety Instructions](#)

[Ink Cartridge Safety Instructions](#)

Parent topic: [Notices](#)

General Product Safety Instructions

- Be sure to follow all warnings and instructions marked on the product.
- Use only the type of power source indicated on the product's label.
- Use only the power cord that comes with the product. Use of another cord may cause fires or shock. Do not use the cord with any other equipment.
- Place the product near a wall outlet where the plug can be easily unplugged.
- This product has two power systems. Unplug the two power cords during maintenance to avoid the risk of electric shock. If you are using the print drying system, unplug the power cord for it as well.
- Connect your product to a properly grounded power outlet. Avoid plugging the product into an outlet on the same circuit as a photo copier or air control system that regularly switches on and off, or on an outlet controlled by a wall switch or timer.
- Do not let the power cord become damaged or frayed. Place it to avoid abrasions, cuts, fraying, crimping, and kinking. Do not place objects on top of it and do not allow it to be stepped on or run over. Be careful to keep the cord straight at each end.

- If you use an extension cord with the product, make sure the total ampere rating of the devices plugged into the extension cord does not exceed the cord's ampere rating. Also, make sure the total ampere rating of all devices plugged into the wall outlet does not exceed the wall outlet's ampere rating.
- If damage occurs to the plug, replace the cord set or consult a qualified electrician. If there are fuses in the plug, make sure you replace them with fuses of the correct size and rating.
- Always turn off the product using the power button, and wait until the power light stops flashing before unplugging the product or cutting off power to the electrical outlet.
- If you will not be using the product for a long period, unplug the power cord from the electrical outlet.
- Place the product on a flat, stable surface that extends beyond its base in all directions. It will not operate properly if it is tilted or at an angle.
- Avoid locations that are subject to rapid changes in heat or humidity, shocks or vibrations, or dust.
- Do not place or store the product outdoors.
- Do not place the product near excessive heat sources or in direct sunlight.
- Leave enough room around the product for sufficient ventilation. Do not block or cover openings in the cabinet or insert objects through the slots.
- Keep the product away from potential sources of electromagnetic interference, such as loudspeakers or the base units of cordless telephones.
- When connecting the product to a computer or other device with a cable, ensure the correct orientation of the connectors. Each connector has only one correct orientation. Inserting a connector in the wrong orientation may damage both devices connected by the cable.
- Do not move the print head by hand; this may damage the product.
- Do not spill liquid on the product or use the product with wet hands.
- Do not use aerosol products that contain flammable gases inside or around the product. Doing so may cause fire.
- Except as specifically explained in your documentation, do not attempt to service the product yourself.
- Unplug the product and refer servicing to qualified service personnel under the following conditions: if the power cord or plug is damaged; if liquid has entered the product; if the product has been dropped or the cabinet damaged; if the product does not operate normally or exhibits a distinct change in performance. Adjust only those controls that are covered by the operating instructions.
- When storing or transporting the product, do not tilt it, stand it on its side, or turn it upside down; otherwise ink may leak.

Note: The lithium batteries in this product contain Perchlorate Material - special handling may apply. [Click here](#) for details.

Parent topic: [Important Safety Instructions](#)

Ink Cartridge Safety Instructions

- Keep ink cartridges out of the reach of children and do not drink the ink.
- Be careful when you handle used ink cartridges; there may be ink remaining around the ink supply port. If ink gets on your skin, wash it off with soap and water. If it gets in your eyes, flush them immediately with water.
- Wear protective eyewear and gloves when replacing the waste ink bottle. Should waste ink get on your skin, immediately wash it off using soap and water. Consult a physician if the skin appears irritated or is discolored. If waste ink gets in your eyes, rinse immediately with water. Failure to observe this precaution could result in bloodshot eyes or mild inflammation. If waste ink is swallowed, consult a physician immediately; do not induce vomiting.
- After replacing the waste ink bottle, wash your hands thoroughly.
- Do not put your hand inside the product or touch any cartridges during printing.
- Install a new ink cartridge immediately after removing an expended one. Leaving cartridges uninstalled can dry out the print head and may prevent the product from printing.
- Install ink cartridges in all the ink cartridge slots. You cannot print if any of the slots are empty.
- Dried ink on the supply port may cause ink leaks when the cartridge is reinserted and used. Wipe off any excess ink before reinserting.
- Do not insert or remove replacement cartridges during printing.
- Do not remove the transparent seal from the ink supply port. This may cause the cartridge to become unusable.
- The green IC chip on this ink cartridge retains a variety of cartridge-related information, such as the ink cartridge status, so that the cartridge may be removed and reinserted freely. Do not touch the green IC chip on the side of the cartridge. This may prevent normal operation and printing.
- If you remove an ink cartridge for later use, protect the ink supply area from dirt and dust and store it in the same environment as the product. Note that there is a valve in the ink supply port, making covers or plugs unnecessary, but care is needed to prevent the ink from staining items that the cartridge touches. Do not touch the ink cartridge ink supply port or surrounding area.
- To insure print quality, use an ink cartridge before the date printed on its package.

- Do not dismantle or alter an ink cartridge. This could damage the print head and may prevent the product from printing.
- Do not drop cartridges or bump them against hard objects; otherwise, the ink may leak.
- Store ink cartridges at room temperature in a location that is not exposed to direct sunlight.
- After bringing an ink cartridge inside from a cold storage site, allow it to warm up at room temperature for at least four hours before using it.

Parent topic: [Important Safety Instructions](#)

FCC Compliance Statement

For United States Users

This equipment has been tested and found to comply with the limits for a Class A digital device, pursuant to Part 15 of the FCC Rules. These limits are designed to provide reasonable protection against harmful interference when the equipment is operated in a commercial environment. This equipment generates, uses, and can radiate radio frequency energy and, if not installed and used in accordance with the instruction manual, may cause harmful interference to radio communications. Operation of this equipment in a residential area is likely to cause harmful interference, in which case the user will be required to correct the interference at his own expense.

This device complies with Part 15 of the FCC Rules. Operation is subject to the following two conditions:

1. this device may not cause harmful interference, and
2. this device must accept any interference received, including interference that may cause undesired operation.

WARNING

The connection of a non-shielded equipment interface cable to this equipment will invalidate the FCC Certification of this device and may cause interference levels which exceed the limits established by the FCC for this equipment. It is the responsibility of the user to obtain and use a shielded equipment interface cable with this device. If this equipment has more than one interface connector, do not leave cables connected to unused interfaces. Changes or modifications not expressly approved by the manufacturer could void the user's authority to operate the equipment.

For Canadian Users

This Class A digital apparatus complies with Canadian ICES-003.

Cet appareil numérique de la classe A est conforme à la norme NMB-003 du Canada.

WARNING

This is a Class A product. In a domestic environment this product may cause radio interference, in which case the user may be required to take adequate measures.

Parent topic: [Notices](#)

Software License Terms

Bonjour

This printer product includes the open source software programs which apply the Apple Public Source License Version 1.2 or its latest version ("Bonjour Programs").

We provide the source code of the Bonjour Programs pursuant to the Apple Public Source License Version 1.2 or its latest version until five (5) years after the discontinuation of same model of this printer product. If you desire to receive the source code of the Bonjour Programs, contact Epson support.

You can redistribute Bonjour Programs and/or modify it under the terms of the Apple Public Source License Version 1.2 or its latest version.

These Bonjour Programs are WITHOUT ANY WARRANTY; without even the implied warranty of MERCHANTABILITY AND FITNESS FOR A PARTICULAR PURPOSE.

The Apple Public Source License Version 1.2 is as follows. You also can see the Apple Public Source License Version 1.2 at <http://www.opensource.apple.com/apsl/>.

APPLE PUBLIC SOURCE LICENSE

Version 2.0 - August 6, 2003

1. General; Definitions. This License applies to any program or other work which Apple Computer, Inc. ("Apple") makes publicly available and which contains a notice placed by Apple identifying such program or work as "Original Code" and stating that it is subject to the terms of this Apple Public Source License version 2.0 ("License"). As used in this License:

1.1 "Applicable Patent Rights" mean: (a) in the case where Apple is the grantor of rights, (i) claims of patents that are now or hereafter acquired, owned by or assigned to Apple and (ii) that cover subject matter contained in the Original Code, but only to the extent necessary to use, reproduce and/or distribute the Original Code without infringement; and (b) in the case where You are the grantor of rights, (i) claims of patents that are now or hereafter acquired, owned by or assigned to You and (ii) that cover subject matter in Your Modifications, taken alone or in combination with Original Code.

1.2 "Contributor" means any person or entity that creates or contributes to the creation of Modifications.

1.3 "Covered Code" means the Original Code, Modifications, the combination of Original Code and any Modifications, and/or any respective portions thereof.

1.4 "Externally Deploy" means:(a) to sublicense, distribute or otherwise make Covered Code available, directly or indirectly, to anyone other than You; and/or (b) to use Covered Code, alone or as part of a Larger Work, in any way to provide a service, including but not limited to delivery of content, through electronic communication with a client other than You.

1.5 "Larger Work" means a work which combines Covered Code or portions thereof with code not governed by the terms of this License.

1.6 "Modifications" mean any addition to, deletion from, and/or change to, the substance and/or structure of the Original Code, any previous Modifications, the combination of Original Code and any previous Modifications, and/or any respective portions thereof. When code is released as a series of files, a Modification is:(a) any addition to or deletion from the contents of a file containing Covered Code; and/or (b) any new file or other representation of computer program statements that contains any part of Covered Code.

1.7 "Original Code" means (a) the Source Code of a program or other work as originally made available by Apple under this License, including the Source Code of any updates or upgrades to such programs or works made available by Apple under this License, and that has been expressly identified by Apple as such in the header file(s) of such work; and (b) the object code compiled from such Source Code and originally made available by Apple under this License.

1.8 "Source Code" means the human readable form of a program or other work that is suitable for making modifications to it, including all modules it contains, plus any associated interface definition files, scripts used to control compilation and installation of an executable (object code).

1.9 "You" or "Your" means an individual or a legal entity exercising rights under this License. For legal entities, "You" or "Your" includes any entity which controls, is controlled by, or is under common control with, You, where "control" means (a) the power, direct or indirect, to cause the direction or management of such entity, whether by contract or otherwise, or (b) ownership of fifty percent (50%) or more of the outstanding shares or beneficial ownership of such entity.

2. Permitted Uses; Conditions & Restrictions. Subject to the terms and conditions of this License, Apple hereby grants You, effective on the date You accept this License and download the Original Code, a world-wide, royalty-free, non-exclusive license, to the extent of Apple's Applicable Patent Rights and copyrights covering the Original Code, to do the following:

2.1 Unmodified Code. You may use, reproduce, display, perform, internally distribute within Your organization, and Externally Deploy verbatim, unmodified copies of the Original Code, for commercial or non-commercial purposes, provided that in each instance:

(a) You must retain and reproduce in all copies of Original Code the copyright and other proprietary notices and disclaimers of Apple as they appear in the Original Code, and keep intact all notices in the Original Code that refer to this License; and

(b) You must include a copy of this License with every copy of Source Code of Covered Code and documentation You distribute or Externally Deploy, and You may not offer or impose any terms on such

Source Code that alter or restrict this License or the recipients' rights hereunder, except as permitted under Section 6.

2.2 Modified Code. You may modify Covered Code and use, reproduce, display, perform, internally distribute within Your organization, and Externally Deploy Your Modifications and Covered Code, for commercial or non-commercial purposes, provided that in each instance You also meet all of these conditions:

(a) You must satisfy all the conditions of Section 2.1 with respect to the Source Code of the Covered Code;

(b) You must duplicate, to the extent it does not already exist, the notice in Exhibit A in each file of the Source Code of all Your Modifications, and cause the modified files to carry prominent notices stating that You changed the files and the date of any change; and

(c) If You Externally Deploy Your Modifications, You must make Source Code of all Your Externally Deployed Modifications either available to those to whom You have Externally Deployed Your Modifications, or publicly available. Source Code of Your Externally Deployed Modifications must be released under the terms set forth in this License, including the license grants set forth in Section 3 below, for as long as you Externally Deploy the Covered Code or twelve (12) months from the date of initial External Deployment, whichever is longer. You should preferably distribute the Source Code of Your Externally Deployed Modifications electronically (e.g. download from a web site).

2.3 Distribution of Executable Versions. In addition, if You Externally Deploy Covered Code (Original Code and/or Modifications) in object code, executable form only, You must include a prominent notice, in the code itself as well as in related documentation, stating that Source Code of the Covered Code is available under the terms of this License with information on how and where to obtain such Source Code.

2.4 Third Party Rights. You expressly acknowledge and agree that although Apple and each Contributor grants the licenses to their respective portions of the Covered Code set forth herein, no assurances are provided by Apple or any Contributor that the Covered Code does not infringe the patent or other intellectual property rights of any other entity. Apple and each Contributor disclaim any liability to You for claims brought by any other entity based on infringement of intellectual property rights or otherwise. As a condition to exercising the rights and licenses granted hereunder, You hereby assume sole responsibility to secure any other intellectual property rights needed, if any. For example, if a third party patent license is required to allow You to distribute the Covered Code, it is Your responsibility to acquire that license before distributing the Covered Code.

3. Your Grants. In consideration of, and as a condition to, the licenses granted to You under this License, You hereby grant to any person or entity receiving or distributing Covered Code under this License a non-exclusive, royalty-free, perpetual, irrevocable license, under Your Applicable Patent Rights and other intellectual property rights (other than patent) owned or controlled by You, to use, reproduce, display, perform, modify, sublicense, distribute and Externally Deploy Your Modifications of the same scope and extent as Apple's licenses under Sections 2.1 and 2.2 above.

4. Larger Works. You may create a Larger Work by combining Covered Code with other code not governed by the terms of this License and distribute the Larger Work as a single product. In each such instance, You must make sure the requirements of this License are fulfilled for the Covered Code or any portion thereof.

5. Limitations on Patent License. Except as expressly stated in Section 2, no other patent rights, express or implied, are granted by Apple herein. Modifications and/or Larger Works may require additional patent licenses from Apple which Apple may grant in its sole discretion.

6. Additional Terms. You may choose to offer, and to charge a fee for, warranty, support, indemnity or liability obligations and/or other rights consistent with the scope of the license granted herein ("Additional Terms") to one or more recipients of Covered Code. However, You may do so only on Your own behalf and as Your sole responsibility, and not on behalf of Apple or any Contributor. You must obtain the recipient's agreement that any such Additional Terms are offered by You alone, and You hereby agree to indemnify, defend and hold Apple and every Contributor harmless for any liability incurred by or claims asserted against Apple or such Contributor by reason of any such Additional Terms.

7. Versions of the License. Apple may publish revised and/or new versions of this License from time to time. Each version will be given a distinguishing version number. Once Original Code has been published under a particular version of this License, You may continue to use it under the terms of that version. You may also choose to use such Original Code under the terms of any subsequent version of this License published by Apple. No one other than Apple has the right to modify the terms applicable to Covered Code created under this License.

8. NO WARRANTY OR SUPPORT. The Covered Code may contain in whole or in part pre-release, untested, or not fully tested works. The Covered Code may contain errors that could cause failures or loss of data, and may be incomplete or contain inaccuracies. You expressly acknowledge and agree that use of the Covered Code, or any portion thereof, is at Your sole and entire risk. THE COVERED CODE IS PROVIDED "AS IS" AND WITHOUT WARRANTY, UPGRADES OR SUPPORT OF ANY KIND AND APPLE AND APPLE'S LICENSOR(S) (COLLECTIVELY REFERRED TO AS "APPLE" FOR THE PURPOSES OF SECTIONS 8 AND 9) AND ALL CONTRIBUTORS EXPRESSLY DISCLAIM ALL WARRANTIES AND/OR CONDITIONS, EXPRESS OR IMPLIED, INCLUDING, BUT NOT LIMITED TO, THE IMPLIED WARRANTIES AND/OR CONDITIONS OF MERCHANTABILITY, OF SATISFACTORY QUALITY, OF FITNESS FOR A PARTICULAR PURPOSE, OF ACCURACY, OF QUIET ENJOYMENT, AND NONINFRINGEMENT OF THIRD PARTY RIGHTS. APPLE AND EACH CONTRIBUTOR DOES NOT WARRANT AGAINST INTERFERENCE WITH YOUR ENJOYMENT OF THE COVERED CODE, THAT THE FUNCTIONS CONTAINED IN THE COVERED CODE WILL MEET YOUR REQUIREMENTS, THAT THE OPERATION OF THE COVERED CODE WILL BE UNINTERRUPTED OR ERROR-FREE, OR THAT DEFECTS IN THE COVERED CODE WILL BE CORRECTED. NO ORAL OR WRITTEN INFORMATION OR ADVICE GIVEN BY APPLE, AN APPLE AUTHORIZED REPRESENTATIVE OR ANY CONTRIBUTOR SHALL CREATE A WARRANTY. You acknowledge that the Covered Code is not intended for use in the operation of nuclear facilities, aircraft navigation,

communication systems, or air traffic control machines in which case the failure of the Covered Code could lead to death, personal injury, or severe physical or environmental damage.

9. LIMITATION OF LIABILITY. TO THE EXTENT NOT PROHIBITED BY LAW, IN NO EVENT SHALL APPLE OR ANY CONTRIBUTOR BE LIABLE FOR ANY INCIDENTAL, SPECIAL, INDIRECT OR CONSEQUENTIAL DAMAGES ARISING OUT OF OR RELATING TO THIS LICENSE OR YOUR USE OR INABILITY TO USE THE COVERED CODE, OR ANY PORTION THEREOF, WHETHER UNDER A THEORY OF CONTRACT, WARRANTY, TORT (INCLUDING NEGLIGENCE), PRODUCTS LIABILITY OR OTHERWISE, EVEN IF APPLE OR SUCH CONTRIBUTOR HAS BEEN ADVISED OF THE POSSIBILITY OF SUCH DAMAGES AND NOTWITHSTANDING THE FAILURE OF ESSENTIAL PURPOSE OF ANY REMEDY. SOME JURISDICTIONS DO NOT ALLOW THE LIMITATION OF LIABILITY OF INCIDENTAL OR CONSEQUENTIAL DAMAGES, SO THIS LIMITATION MAY NOT APPLY TO YOU. In no event shall Apple's total liability to You for all damages (other than as may be required by applicable law) under this License exceed the amount of fifty dollars (\$50.00).

10. Trademarks. This License does not grant any rights to use the trademarks or trade names "Apple", "Apple Computer", "Mac", "Mac OS", "QuickTime", "QuickTime Streaming Server" or any other trademarks, service marks, logos or trade names belonging to Apple (collectively "Apple Marks") or to any trademark, service mark, logo or trade name belonging to any Contributor. You agree not to use any Apple Marks in or as part of the name of products derived from the Original Code or to endorse or promote products derived from the Original Code other than as expressly permitted by and in strict compliance at all times with Apple's third party trademark usage guidelines which are posted at <http://www.apple.com/legal/guidelinesfor3rdparties.html>.

11. Ownership. Subject to the licenses granted under this License, each Contributor retains all rights, title and interest in and to any Modifications made by such Contributor. Apple retains all rights, title and interest in and to the Original Code and any Modifications made by or on behalf of Apple ("Apple Modifications"), and such Apple Modifications will not be automatically subject to this License. Apple may, at its sole discretion, choose to license such Apple Modifications under this License, or on different terms from those contained in this License or may choose not to license them at all.

12. Termination.

12.1 Termination. This License and the rights granted hereunder will terminate:

- (a) automatically without notice from Apple if You fail to comply with any term(s) of this License and fail to cure such breach within 30 days of becoming aware of such breach;
- (b) immediately in the event of the circumstances described in Section 13.5(b); or
- (c) automatically without notice from Apple if You, at any time during the term of this License, commence an action for patent infringement against Apple; provided that Apple did not first commence an action for patent infringement against You in that instance.

12.2 Effect of Termination. Upon termination, You agree to immediately stop any further use, reproduction, modification, sublicensing and distribution of the Covered Code. All sublicenses to the

Covered Code which have been properly granted prior to termination shall survive any termination of this License. Provisions which, by their nature, should remain in effect beyond the termination of this License shall survive, including but not limited to Sections 3, 5, 8, 9, 10, 11, 12.2 and 13. No party will be liable to any other for compensation, indemnity or damages of any sort solely as a result of terminating this License in accordance with its terms, and termination of this License will be without prejudice to any other right or remedy of any party.

13. Miscellaneous.

13.1 Government End Users. The Covered Code is a "commercial item" as defined in FAR 2.101. Government software and technical data rights in the Covered Code include only those rights customarily provided to the public as defined in this License. This customary commercial license in technical data and software is provided in accordance with FAR 12.211 (Technical Data) and 12.212 (Computer Software) and, for Department of Defense purchases, DFAR 252.227-7015 (Technical Data - Commercial Items) and 227.7202-3 (Rights in Commercial Computer Software or Computer Software Documentation). Accordingly, all U.S. Government End Users acquire Covered Code with only those rights set forth herein.

13.2 Relationship of Parties. This License will not be construed as creating an agency, partnership, joint venture or any other form of legal association between or among You, Apple or any Contributor, and You will not represent to the contrary, whether expressly, by implication, appearance or otherwise.

13.3 Independent Development. Nothing in this License will impair Apple's right to acquire, license, develop, have others develop for it, market and/or distribute technology or products that perform the same or similar functions as, or otherwise compete with, Modifications, Larger Works, technology or products that You may develop, produce, market or distribute.

13.4 Waiver; Construction. Failure by Apple or any Contributor to enforce any provision of this License will not be deemed a waiver of future enforcement of that or any other provision. Any law or regulation which provides that the language of a contract shall be construed against the drafter will not apply to this License.

13.5 Severability. (a) If for any reason a court of competent jurisdiction finds any provision of this License, or portion thereof, to be unenforceable, that provision of the License will be enforced to the maximum extent permissible so as to effect the economic benefits and intent of the parties, and the remainder of this License will continue in full force and effect. (b) Notwithstanding the foregoing, if applicable law prohibits or restricts You from fully and/or specifically complying with Sections 2 and/or 3 or prevents the enforceability of either of those Sections, this License will immediately terminate and You must immediately discontinue any use of the Covered Code and destroy all copies of it that are in your possession or control.

13.6 Dispute Resolution. Any litigation or other dispute resolution between You and Apple relating to this License shall take place in the Northern District of California, and You and Apple hereby consent to the personal jurisdiction of, and venue in, the state and federal courts within that District with respect to this

License. The application of the United Nations Convention on Contracts for the International Sale of Goods is expressly excluded.

13.7 Entire Agreement; Governing Law. This License constitutes the entire agreement between the parties with respect to the subject matter hereof. This License shall be governed by the laws of the United States and the State of California, except that body of California law concerning conflicts of law.

Where You are located in the province of Quebec, Canada, the following clause applies: The parties hereby confirm that they have requested that this License and all related documents be drafted in English.

Les parties ont exigé que le présent contrat et tous les documents connexes soient rédigés en anglais.

EXHIBIT A.

"Portions Copyright © 1999-2003 Apple Computer, Inc. All Rights Reserved.

This file contains Original Code and/or Modifications of Original Code as defined in and that are subject to the Apple Public Source License Version 2.0 (the 'License'). You may not use this file except in compliance with the License. Please obtain a copy of the License at <http://www.opensource.apple.com/apsl/> and read it before using this file.

The Original Code and all software distributed under the License are distributed on an 'AS IS' basis, WITHOUT WARRANTY OF ANY KIND, EITHER EXPRESS OR IMPLIED, AND APPLE HEREBY DISCLAIMS ALL SUCH WARRANTIES, INCLUDING WITHOUT LIMITATION, ANY WARRANTIES OF MERCHANTABILITY, FITNESS FOR A PARTICULAR PURPOSE, QUIET ENJOYMENT OR NON-INFRINGEMENT. Please see the License for the specific language governing rights and limitations under the License."

Info-ZIP copyright and license

This is version 2007-Mar-4 of the Info-ZIP license. The definitive version of this document should be available at <ftp://ftp.info-zip.org/pub/infozip/license.html> indefinitely and a copy at <http://www.info-zip.org/pub/infozip/license.html>.

Copyright © 1990-2007 Info-ZIP. All rights reserved.

For the purposes of this copyright and license, "Info-ZIP" is defined as the following set of individuals:

Mark Adler, John Bush, Karl Davis, Harald Denker, Jean-Michel Dubois, Jean-loup Gailly, Hunter Goatley, Ed Gordon, Ian Gorman, Chris Herborth, Dirk Haase, Greg Hartwig, Robert Heath, Jonathan Hudson, Paul Kienitz, David Kirschbaum, Johnny Lee, Onno van der Linden, Igor Mandrichenko, Steve P. Miller, Sergio Monesi, Keith Owens, George Petrov, Greg Roelofs, Kai Uwe Rommel, Steve Salisbury, Dave Smith, Steven M. Schweda, Christian Spieler, Cosmin Truta, Antoine Verheijen, Paul von Behren, Rich Wales, Mike White.

Permission is granted to anyone to use this software for any purpose, including commercial applications, and to alter it and redistribute it freely, subject to the above disclaimer and the following restrictions:

1. Redistributions of source code (in whole or in part) must retain the above copyright notice, definition, disclaimer, and this list of conditions.
2. Redistributions in binary form (compiled executables and libraries) must reproduce the above copyright notice, definition, disclaimer, and this list of conditions in documentation and/or other materials provided with the distribution. The sole exception to this condition is redistribution of a standard UnZipSFX binary (including SFXWiz) as part of a self-extracting archive; that is permitted without inclusion of this license, as long as the normal SFX banner has not been removed from the binary or disabled.
3. Altered versions--including, but not limited to, ports to new operating systems, existing ports with new graphical interfaces, versions with modified or added functionality, and dynamic, shared, or static library versions not from Info-ZIP--must be plainly marked as such and must not be misrepresented as being the original source or, if binaries, compiled from the original source. Such altered versions also must not be misrepresented as being Info-ZIP releases--including, but not limited to, labeling of the altered versions with the names "Info-ZIP" (or any variation thereof, including, but not limited to, different capitalizations), "Pocket UnZip," "WiZ" or "MacZip" without the explicit permission of Info-ZIP. Such altered versions are further prohibited from misrepresentative use of the Zip-Bugs or Info-ZIP e-mail addresses or the Info-ZIP URL(s), such as to imply Info-ZIP will provide support for the altered versions.
4. Info-ZIP retains the right to use the names "Info-ZIP," "Zip," "UnZip," "UnZipSFX," "WiZ," "Pocket UnZip," "Pocket Zip," and "MacZip" for its own source and binary releases.

Parent topic: [Notices](#)

Trademarks

EPSON® and SureColor® are registered trademarks, and EPSON Exceed Your Vision is a registered logomark of Seiko Epson Corporation.

Apple is a trademarks of Apple Inc., registered in the U.S. and other countries.

General Notice: Other product names used herein are for identification purposes only and may be trademarks of their respective owners. Epson disclaims any and all rights in those marks.



Parent topic: [Notices](#)

Copyright Notice

All rights reserved. No part of this publication may be reproduced, stored in a retrieval system, or transmitted in any form or by any means, electronic, mechanical, photocopying, recording, or otherwise, without the prior written permission of Seiko Epson Corporation. The information contained herein is designed only for use with this Epson product. Epson is not responsible for any use of this information as applied to other products.

Neither Seiko Epson Corporation nor its affiliates shall be liable to the purchaser of this product or third parties for damages, losses, costs, or expenses incurred by purchaser or third parties as a result of: accident, misuse, or abuse of this product or unauthorized modifications, repairs, or alterations to this product, or (excluding the U.S.) failure to strictly comply with Seiko Epson Corporation's operating and maintenance instructions.

Seiko Epson Corporation shall not be liable for any damages or problems arising from the use of any options or any consumable products other than those designated as Original Epson Products or Epson Approved Products by Seiko Epson Corporation.

Seiko Epson Corporation shall not be held liable for any damage resulting from electromagnetic interference that occurs from the use of any interface cables other than those designated as Epson approved Products by Seiko Epson Corporation.

This information is subject to change without notice.

[A Note Concerning Responsible Use of Copyrighted Materials](#)
[Copyright Attribution](#)

Parent topic: [Notices](#)

A Note Concerning Responsible Use of Copyrighted Materials

Epson encourages each user to be responsible and respectful of the copyright laws when using any Epson product. While some countries' laws permit limited copying or reuse of copyrighted material in certain circumstances, those circumstances may not be as broad as some people assume. Contact your legal advisor for any questions regarding copyright law.

Parent topic: [Copyright Notice](#)

Copyright Attribution

© 2016 Epson America, Inc.

2/16

CPD-50696R1

Parent topic: [Copyright Notice](#)