

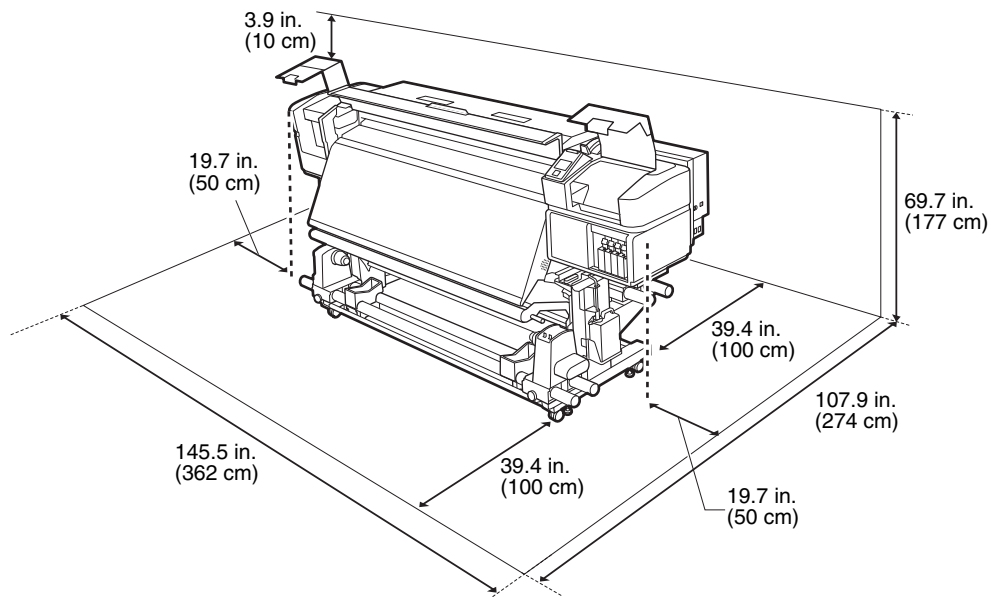
# Contents

Unpacking and assembling the printer .....	2
Assembling the stand .....	5
Installing the printer .....	8
Installing the auto take-up reel unit .....	14
Installing the media feeding unit .....	18
Connecting the cables .....	21
Installing the print drying system (included with SC-S60600) .....	25
Installing ink cartridges .....	26
Installing the software .....	28
Setting an administrative password .....	29

### Unpacking and assembling the printer

**Note:** Unless otherwise indicated, the illustrations in this manual show the SureColor® S40600, but the instructions apply to all models.

Before you begin, make sure you have enough space to set up and use the printer. When choosing a place for the printer, select a location that provides easy access to the printer and is within the printer's operating conditions (59 to 95 °F [15 to 35 °C]; 20 to 80% humidity without condensation). The following illustration shows the minimum space required to use the printer:



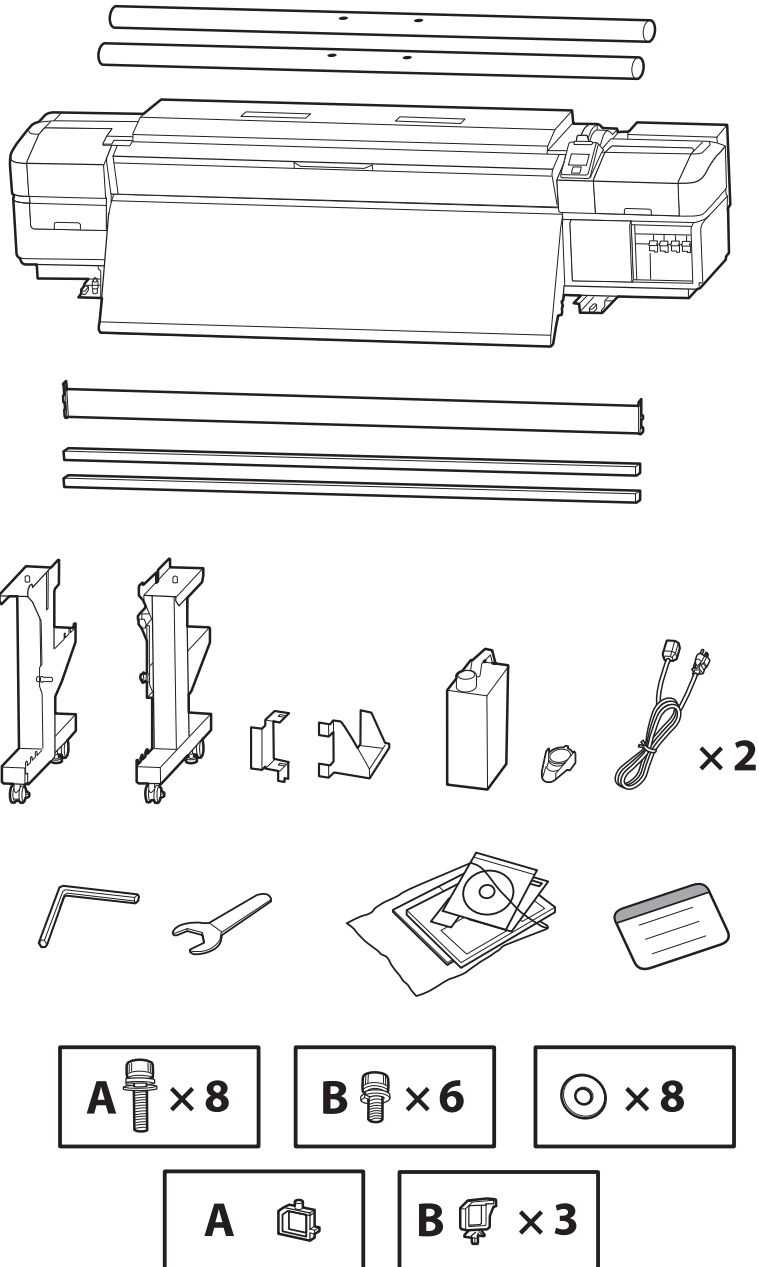
**Caution:** Avoid locations subject to direct sunlight, excessive heat, moisture, smoke, dust, sand, or vibrations from other equipment. Do not tilt the printer more than 10° while moving it.

**WARNING:** Eight people are required to unpack and install the printer. Be sure the printer is placed on a flat, stable location that is well ventilated and can support the following weight and power requirements for each printer:

- SC-S40600 — 615 lb (279 kg); access to one or more outlets for 2 power cables with a total amperage of 20 A at 100 V or 10 A at 240 V
- SC-S60600 — 641 lb (291 kg); access to one or more outlets for 3 power cables with a total amperage of 21 A at 100 V or 10.5 A at 240 V
- SC-S80600 — 626 lb (284 kg); access to one or more outlets for 2 power cables with a total amperage of 20 A at 100 V or 10 A at 240 V

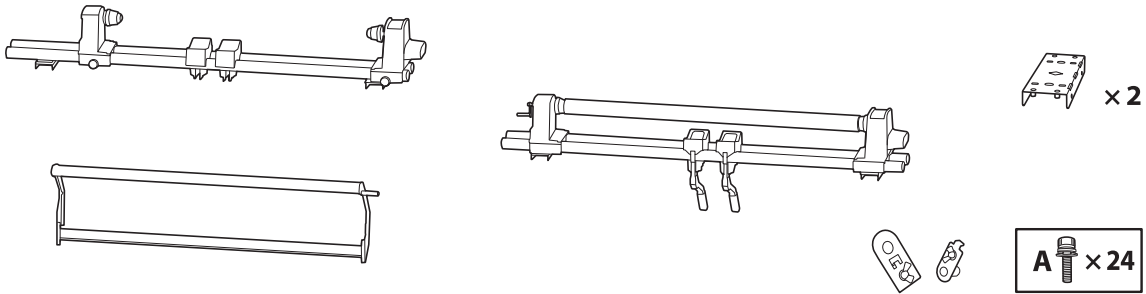
The following items are included:

**Printer and stand**

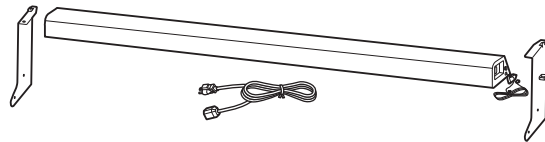


## 4 | Unpacking and assembling the printer

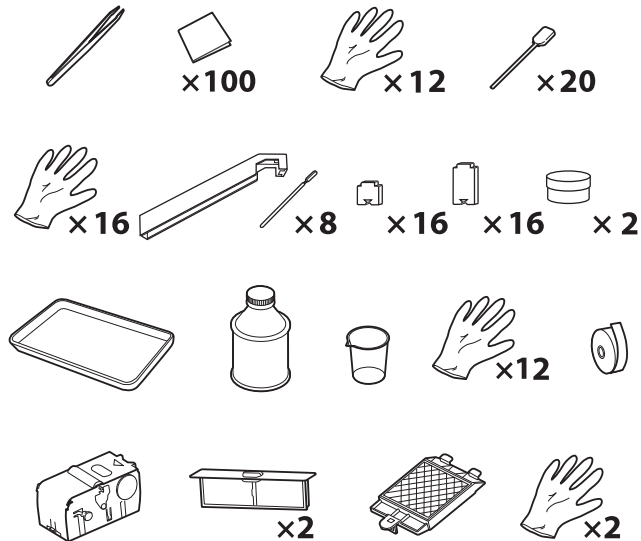
### Auto take-up reel and media feeding unit



### Print drying system (included with SC-S60600)



### Maintenance supplies

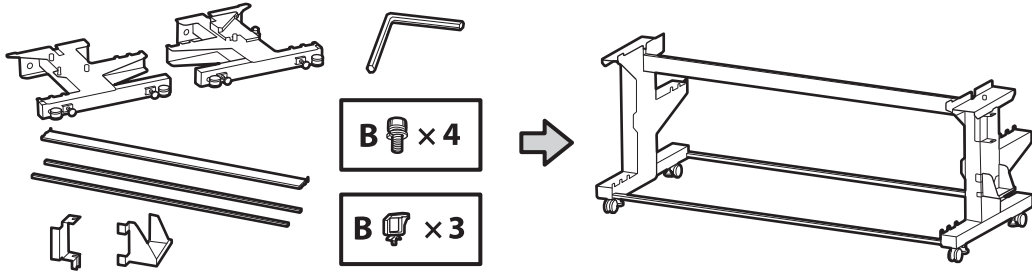


**Note:** The maintenance supplies are not required for setup. For more information on their use, see the *Quick Reference* or online *User's Guide*.

After unpacking the printer and stand, save the box and packaging in case you need to ship the printer later.

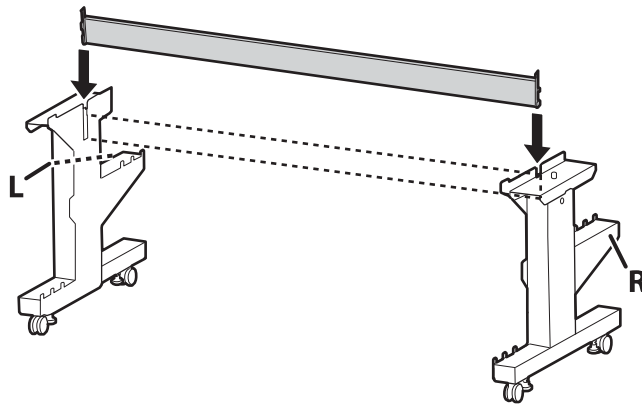
## Assembling the stand

You need the following parts to assemble the stand:

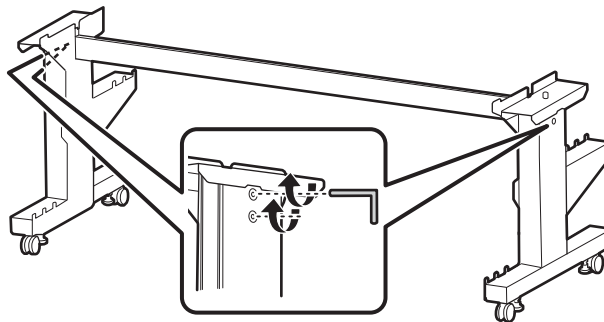


**Note:** It is recommended to have 3 or more people assemble the stand.

1. Slide the larger horizontal strut into both of the legs.

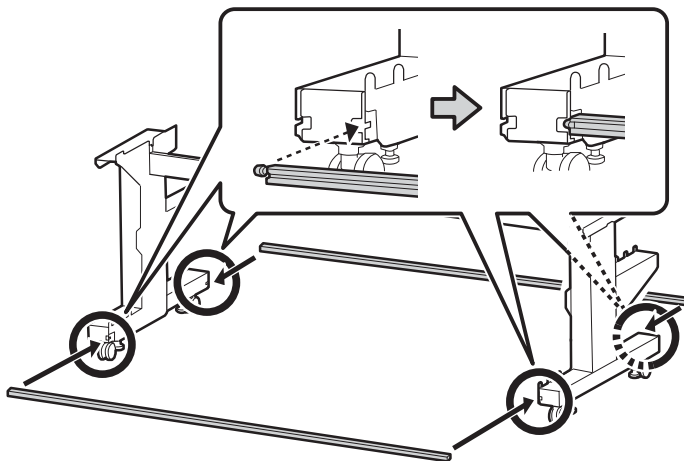


2. Use the long end of the hex wrench to tighten the pre-placed screws on each side of the horizontal strut.

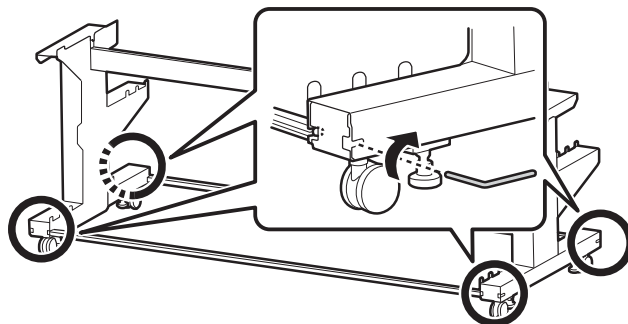


## 6 | Assembling the stand

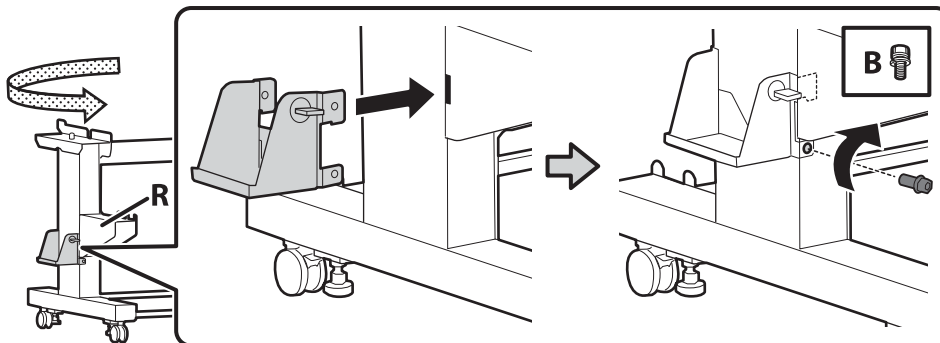
- Slide in both of the smaller horizontal struts.



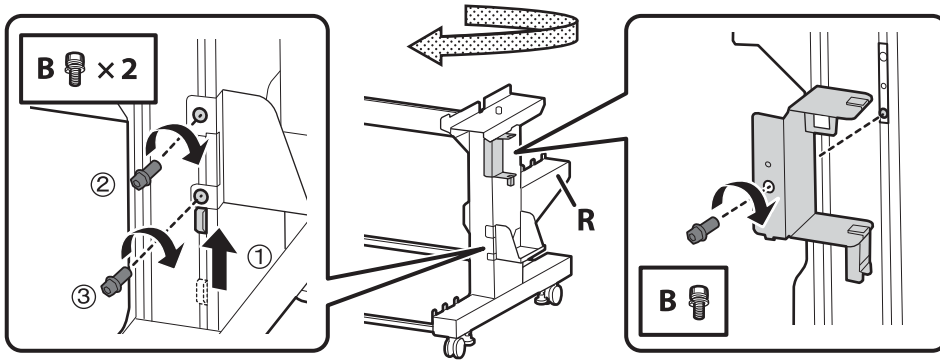
- Use the hex wrench to tighten the screw on each of the four corners.



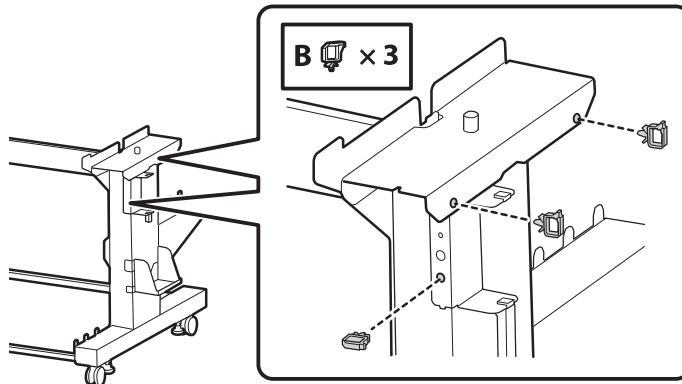
- Attach the waste ink tank bracket to the right side of the stand and secure it using a B screw.



6. Slide up the adjustable securing plate (shaded part in step 1 below) and secure the waste ink tank bracket to it using two B screws. Attach the other waste ink tank bracket and secure it using a B screw.

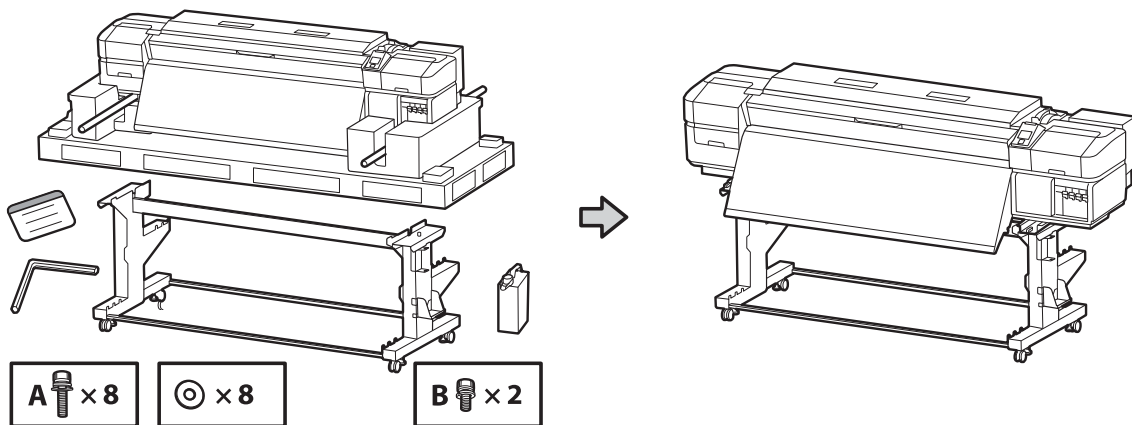


7. Insert the three cable support clips into the holes shown.

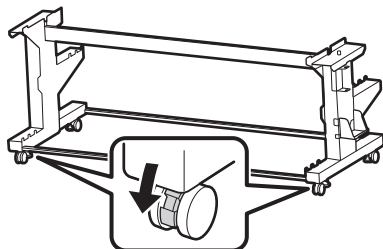


## Installing the printer

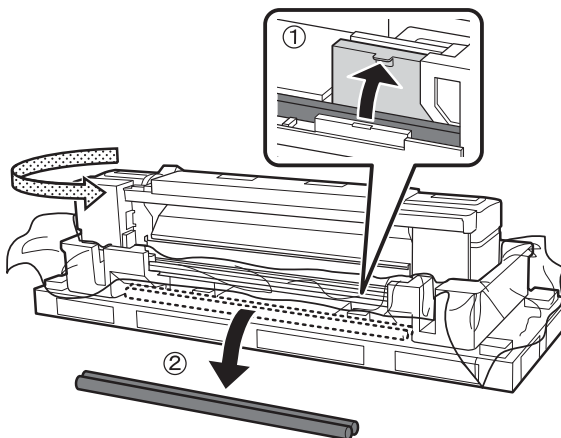
You need the following parts to install the printer on the stand:



1. Lock the casters on the stand to prevent it from moving.

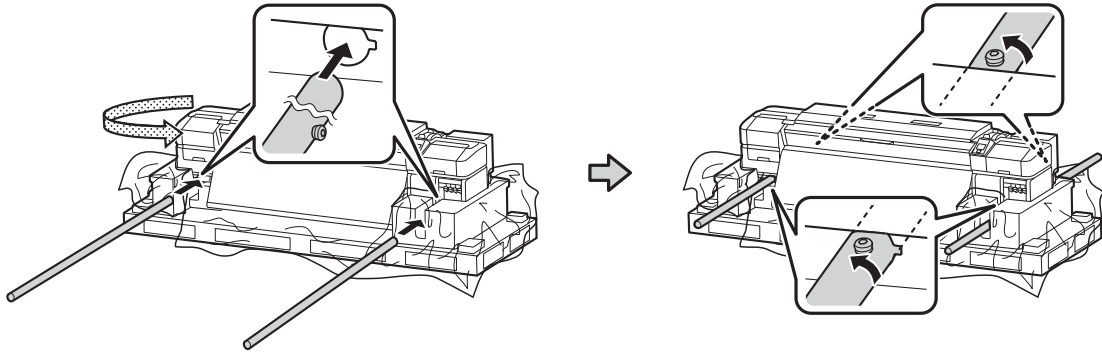


2. Lift up the latch securing the carry bars and remove the carry bars from the back of the printer.

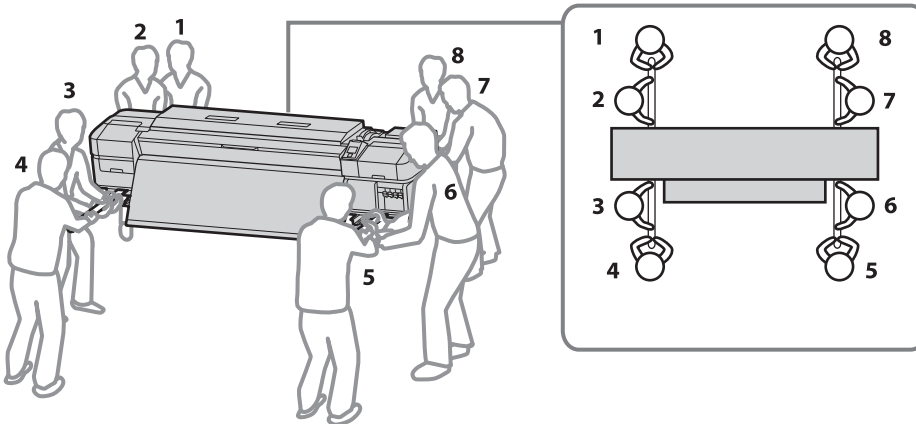




3. From the front of the printer, insert the carry bars into both sides with the locking bolts toward the side as shown. Once they are inserted, rotate the bars counterclockwise 90° to lock them into place. This prevents the printer from sliding when lifted.

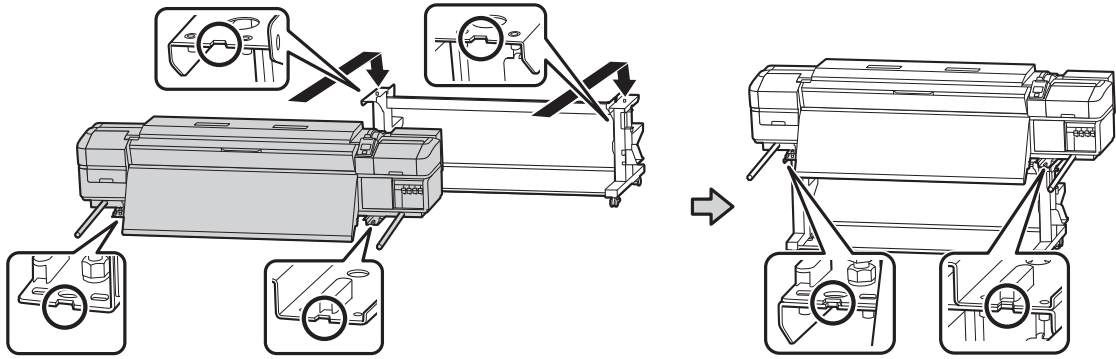


**WARNING:** Use at least eight people to carry the printer as shown.

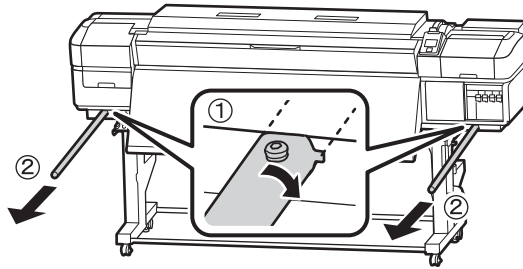


**Note:** To avoid stepping on the crate underneath the printer, try to place the printer adjacent to the stand before lifting the printer.

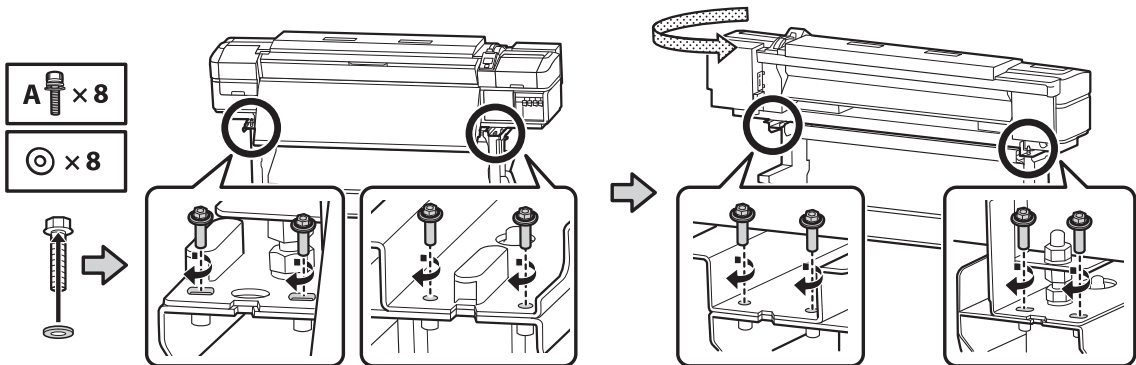
4. Lift the printer onto the stand. Make sure to line up the bottom of the printer with the top of the stand as shown.



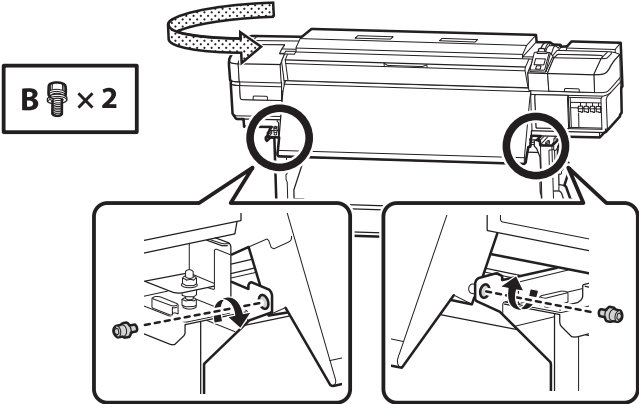
5. Remove the carry bars.



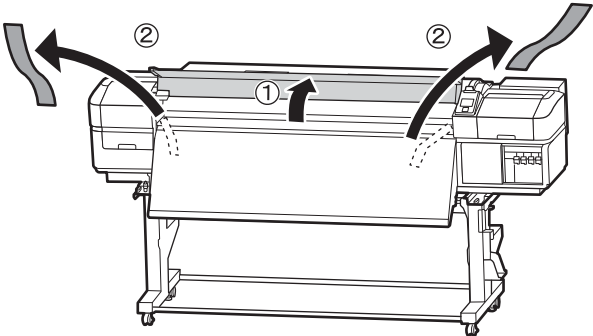
6. Secure the printer to the stand using eight A screws and washers.



7. Secure the heater to the printer using two B screws.



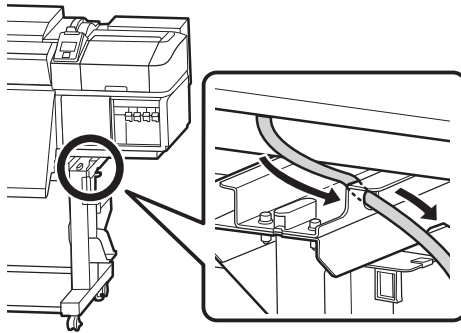
8. Open the front cover and remove the protective materials.



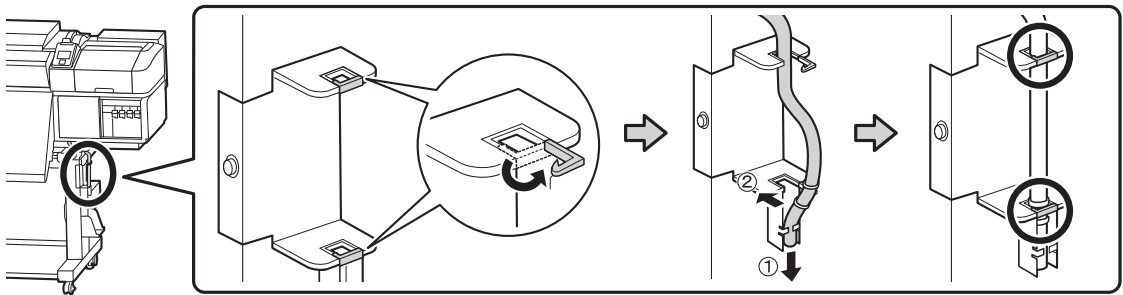
**Note:** Be careful not to trap your finger when opening or closing the front cover.

## 12 | Installing the printer

9. Remove the protective covering from the waste ink tube and then feed the tube through the hole in the frame.

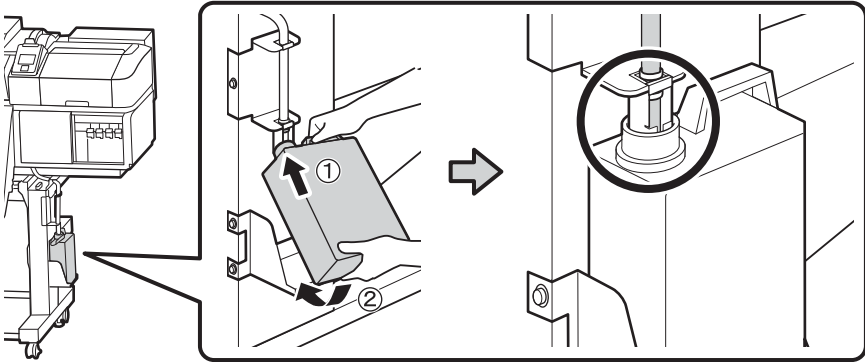


10. Open the two latches on the side of the stand and secure the waste ink tube. Make sure the zip ties on the tube are below the bottom latch, then close both latches.



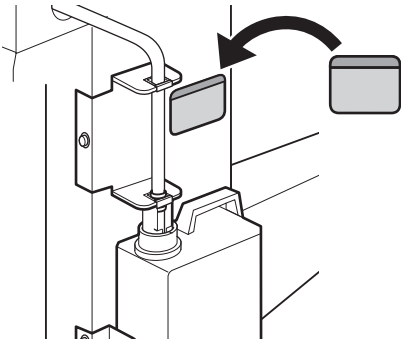
**Note:** Make sure the waste ink tube is not pinched in any place to avoid having ink back up in it.

- 11. Remove the lid from the waste ink tank and install the tank into the brackets. Make sure the waste ink tube is inserted in the opening.



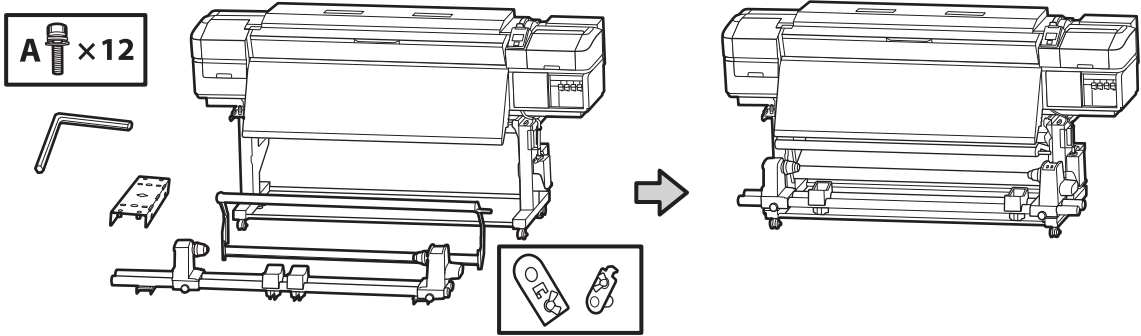
**Note:** Keep the lid for the waste ink tank. The tank must be sealed properly for disposal.

**Caution:** Caution labels in various languages are included. If applicable, place the caution label for your language over the English label.

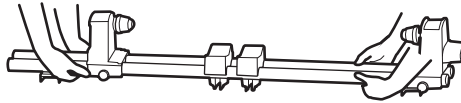


## Installing the auto take-up reel unit

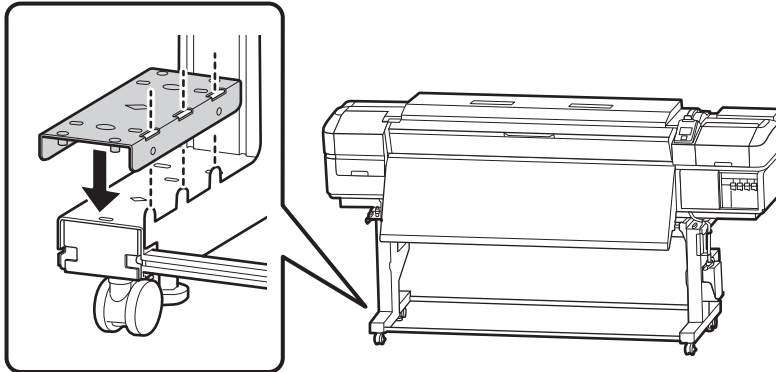
You need the following parts to assemble and attach the auto take-up reel unit:



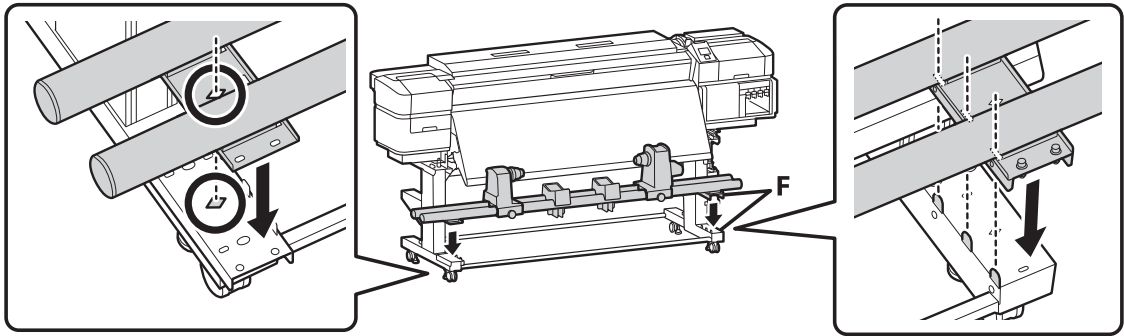
**Caution:** Use two people to carry the auto take-up reel unit.



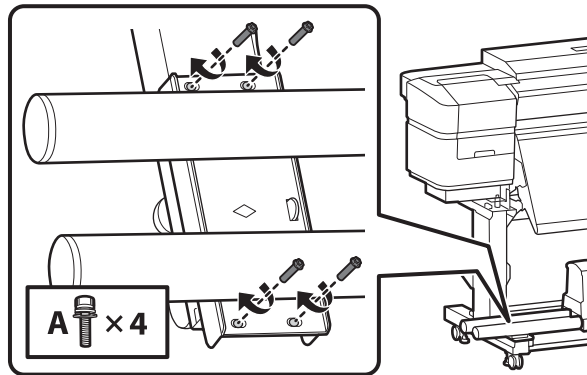
1. Attach the bracket to the left side of the stand.



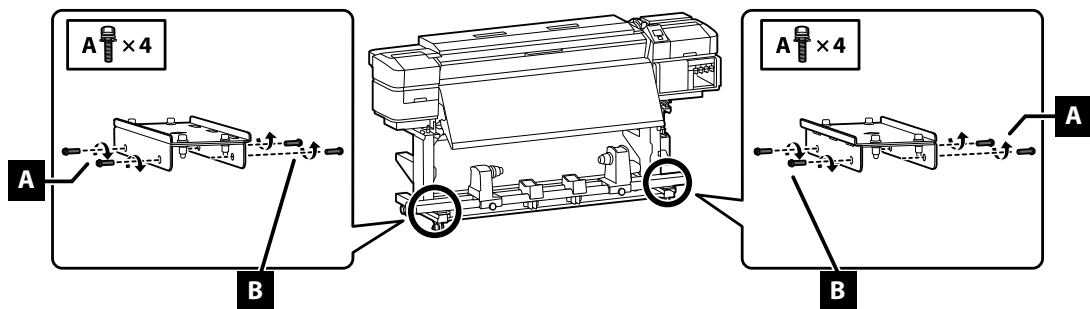
- Lower the auto take-up reel unit onto the front of the stand.



- Secure the left side of the auto take-up reel unit to the stand using four A screws.

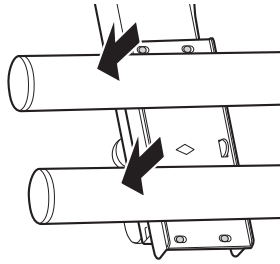


- Use eight additional A screws to secure the sides of the brackets. Fasten the outside screws (A) before fastening the inside screws (B).

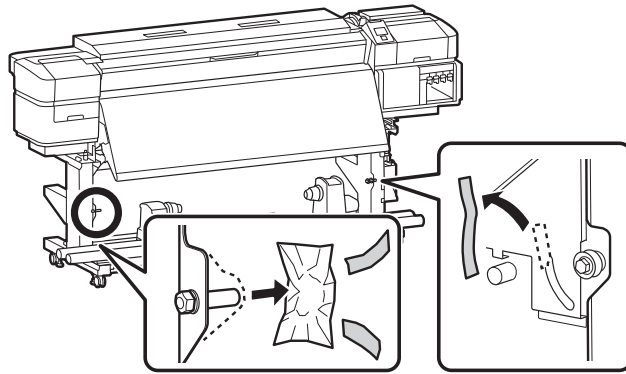


## 16 | Installing the auto take-up reel unit

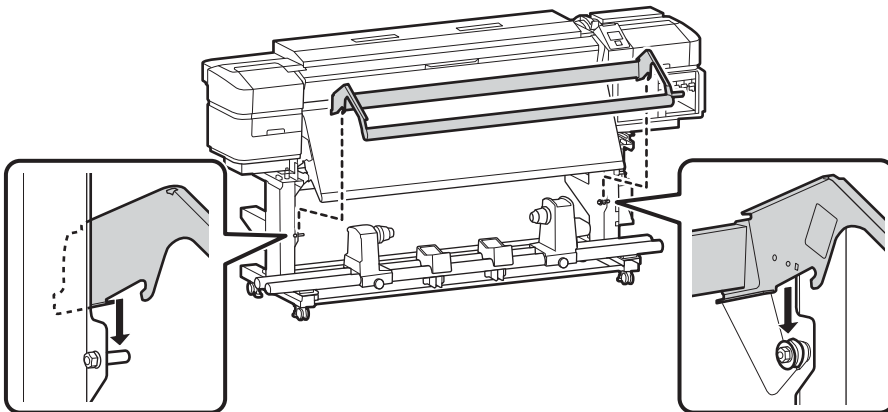
**Note:** Make sure to press the pipes down while fastening the screws.



5. Remove the protective tape and material from both sides of the stand.

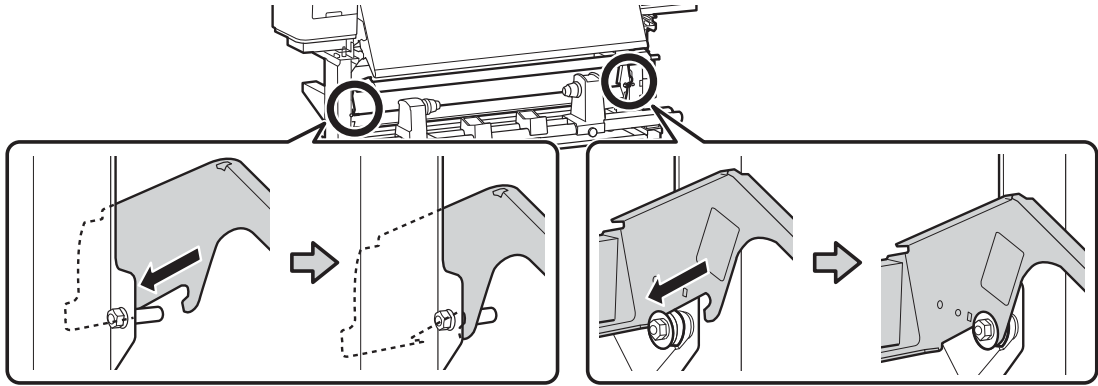


6. Lower the tension bar onto the inside screw on each side of the stand.

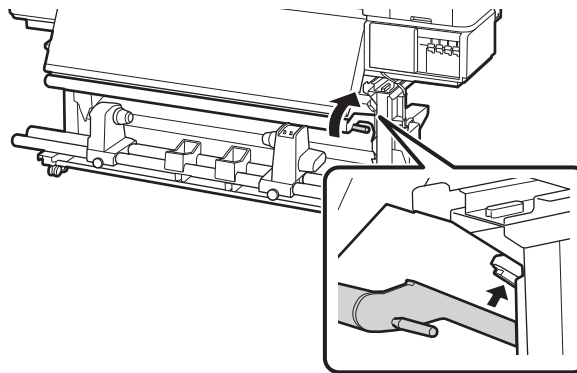




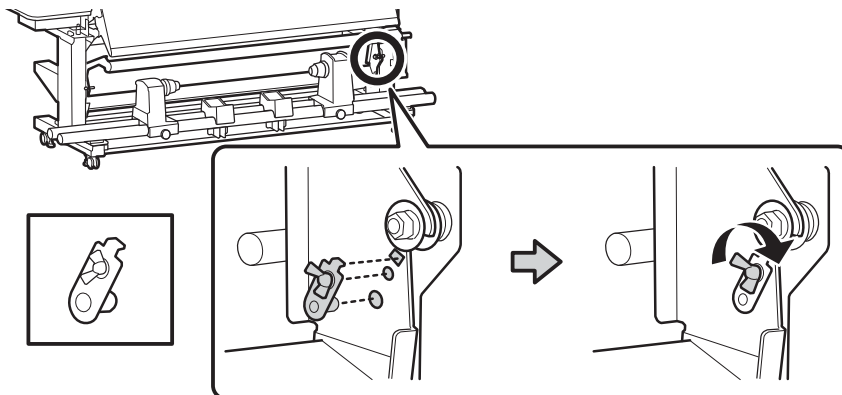
7. Slide the tension bar forward to latch it to the screws.



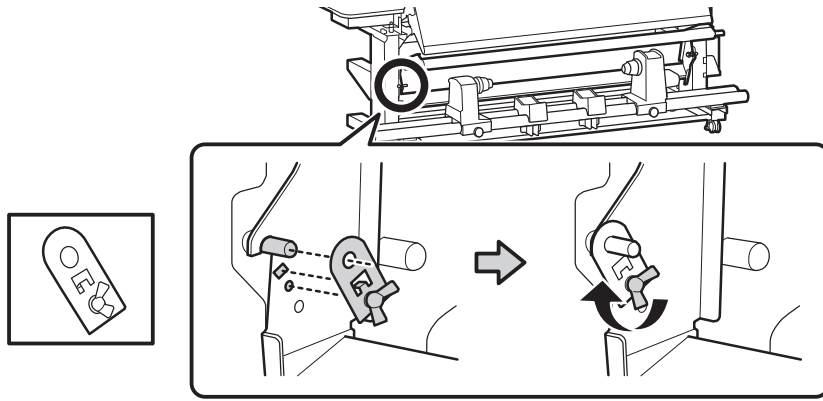
8. Lift the tension bar and use the magnetic latch to hold it in place.



9. Insert the thumbscrew latch into the holes on the right side of the stand and tighten it.

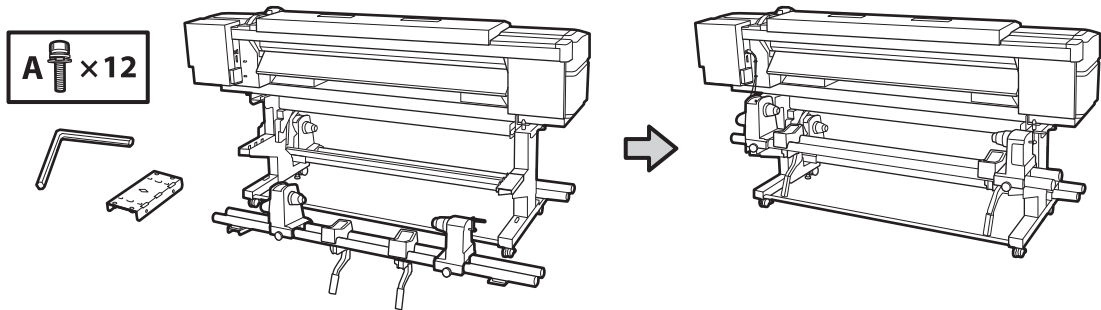


10. Insert the thumbscrew latch into the holes on the left side of the stand and tighten it.

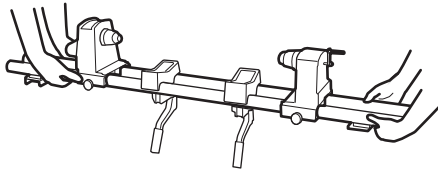


## Installing the media feeding unit

You need the following parts to assemble and attach the media feeding unit:

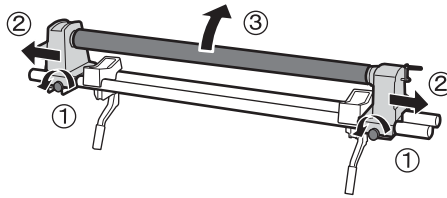


**Caution:** Use two people to carry the media feeding unit.



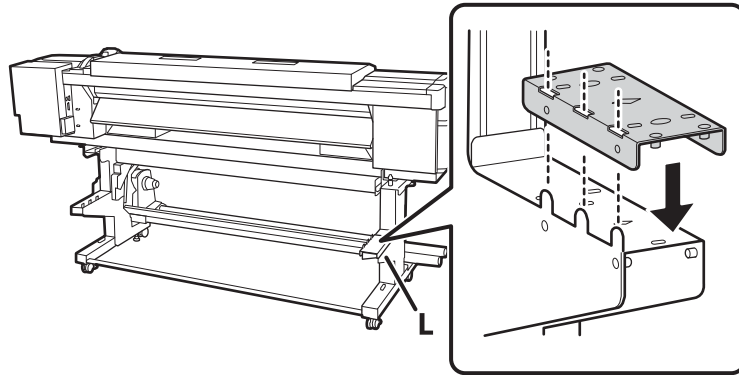
**Note:** Make sure you installed the auto take-up reel unit and tension bar as described on page 14, before you install the media feeding unit.

1. Remove the roll core from the media feeding unit.

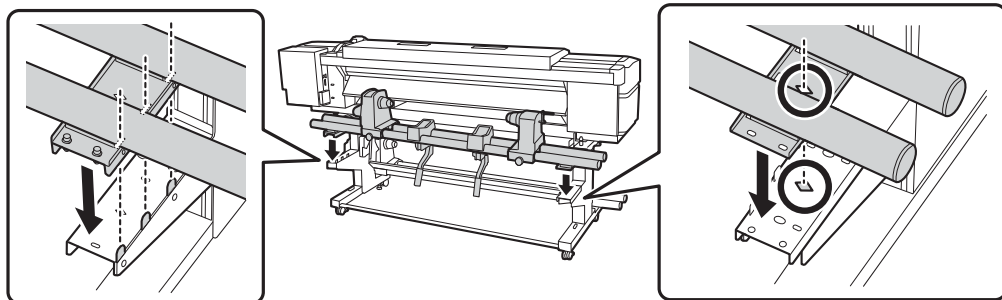


**Note:** Do not throw away the roll core.

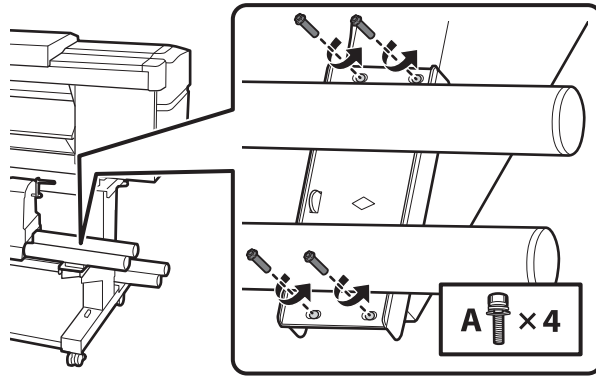
2. From the back of the printer, attach the bracket to the right side of the stand.



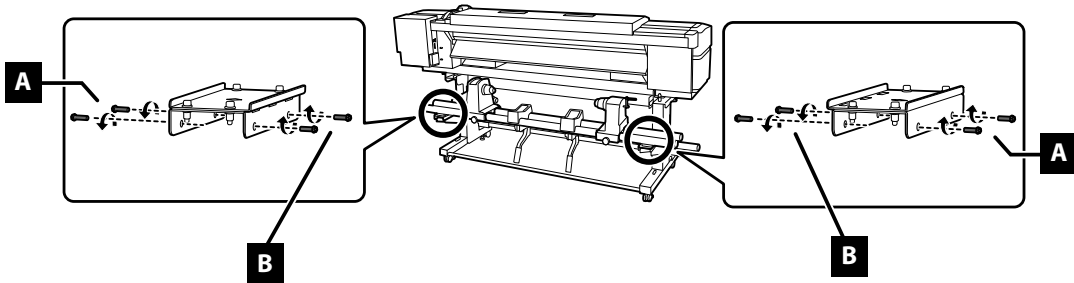
3. Lower the media feeding unit onto the stand as shown.



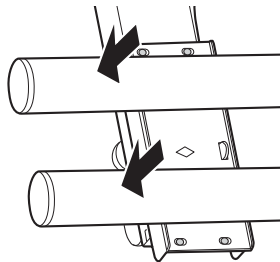
- Secure the media feeding unit on the right side using four A screws.



- Use eight additional A screws to secure the sides of the brackets. Fasten the outside screws (A) before fastening the inside screws (B).

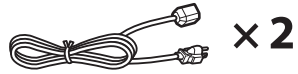


**Note:** Make sure to press the pipes down while fastening the screws.

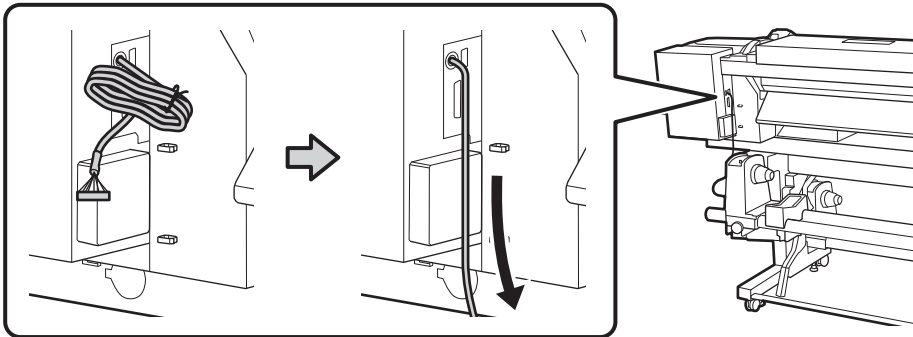


## Connecting the cables

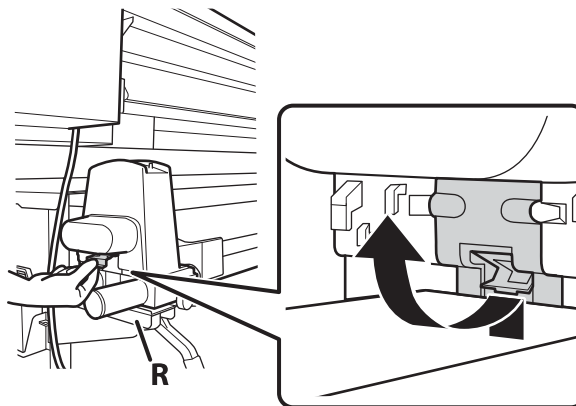
You need the following parts to connect the cables:



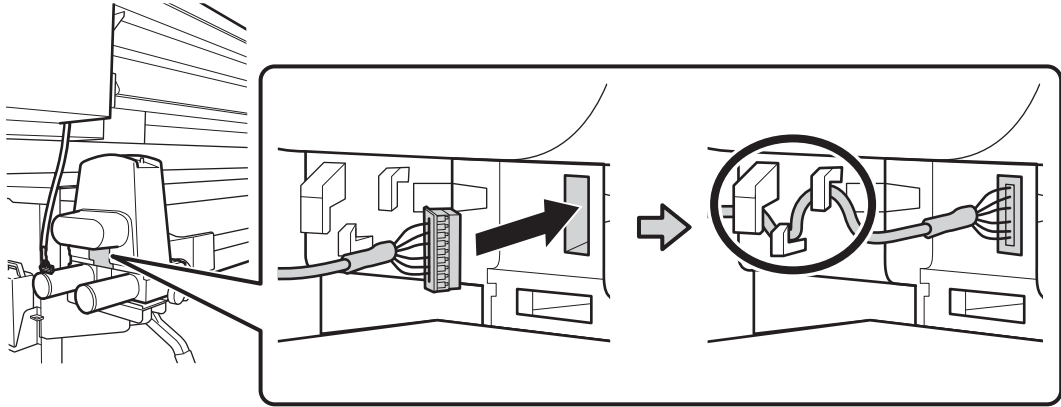
1. Untie the communication cable on the back of the printer.



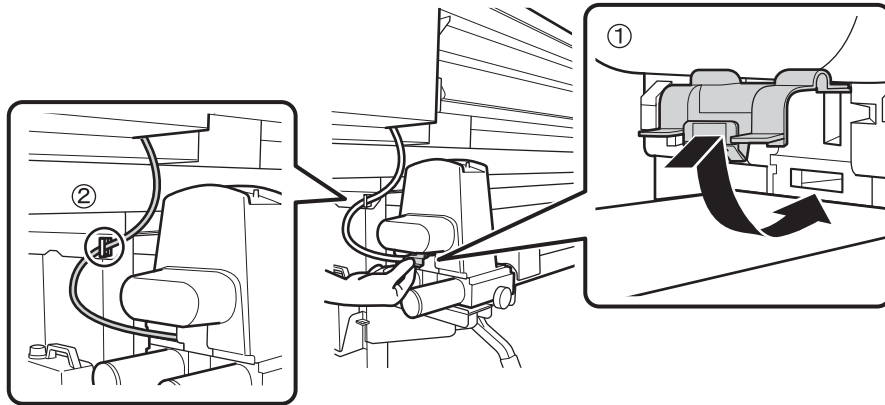
2. Lift the port cover.



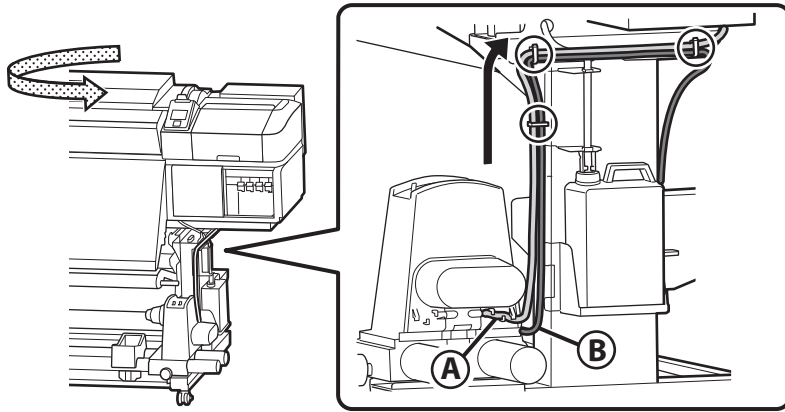
3. Connect the communication cable to the port. Then run the cable through the cable support hooks.



4. Close the port. Then run the communication cable through the cable support.

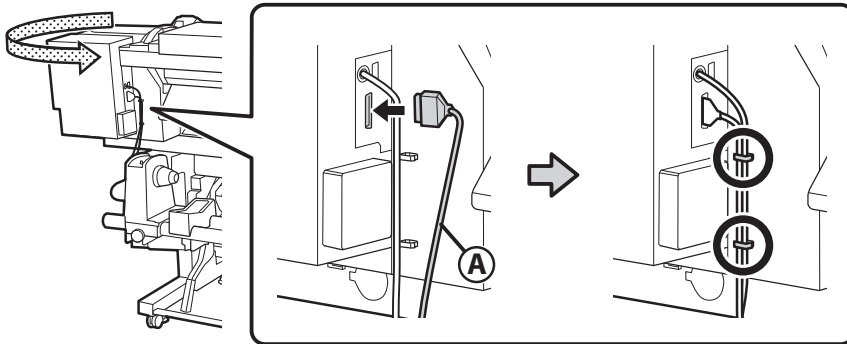


5. From the front of the printer, run the cable through the cable support clips on the side of the stand.

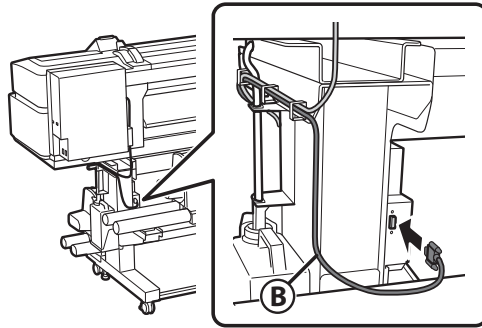


**Note:** Make sure the waste ink tube is not pinched in any place to avoid having ink back up in it.

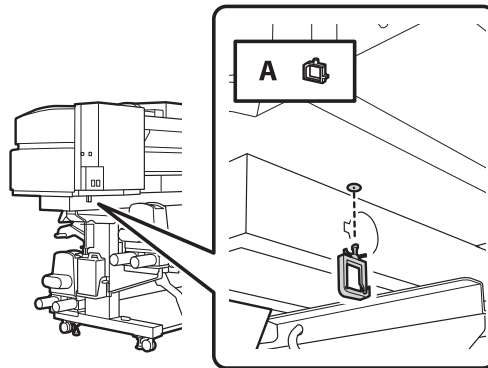
6. From the back of the printer, connect the other end of the communication cable and secure it.



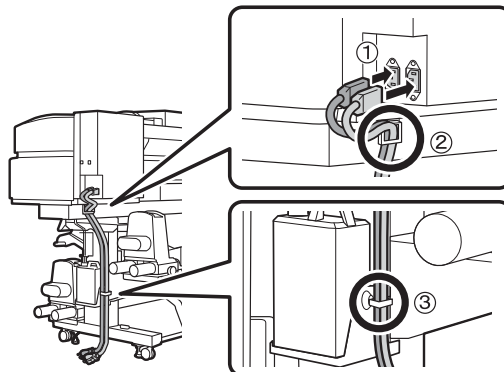
7. Connect the take-up reel cable.



8. Insert a cable support clip.



9. Plug the two power cables into the back of the printer and run them through the cable support clips on both the printer and stand.

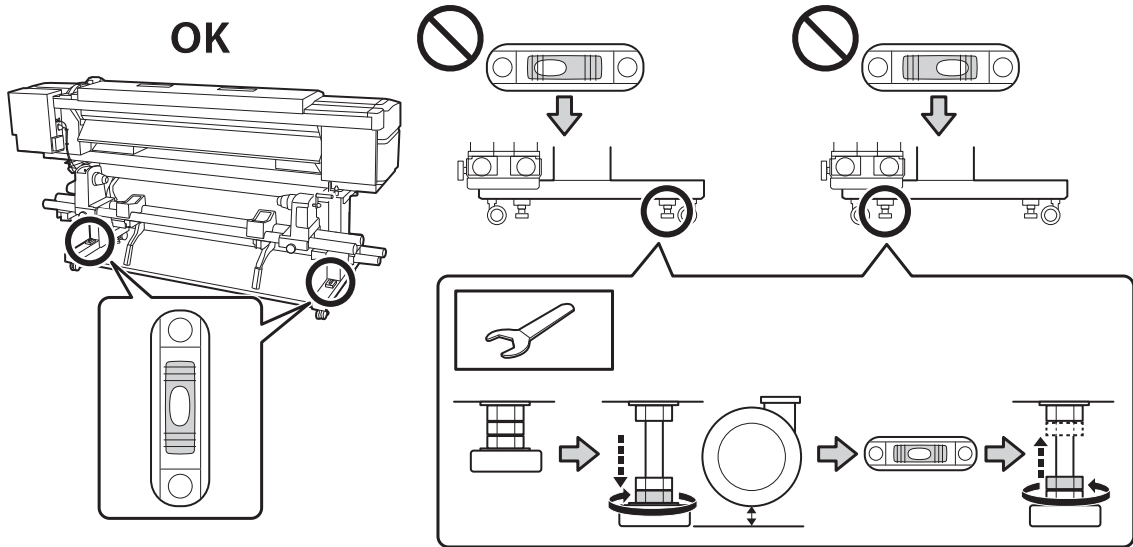




10. Connect the power cables to an outlet.

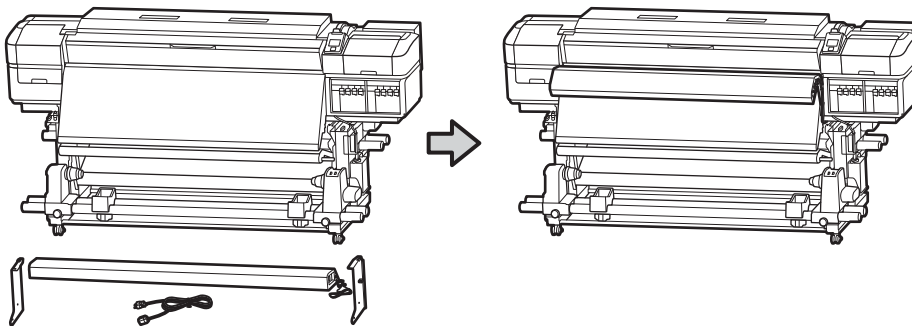
**Caution:** Use only the type of power source indicated on the printer's label.

11. Rotate the stand's adjustable feet using the included wrench. Adjust the feet until both sides of the stand are level and the casters are not touching the ground.



### Installing the print drying system (included with SC-S60600)

You need the following parts to assemble and attach the print drying system:




Follow the instructions in the manual included with the print drying system to install it.

## Installing ink cartridges

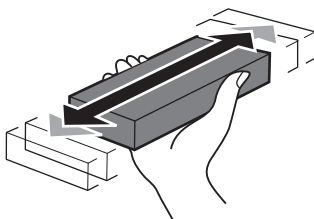
Before installing the ink cartridges, you will first need to wash the print head using cleaning cartridges.

**Note:** Make sure you have ink and cleaning cartridges (not included) before you begin.

1. Press the  power button to turn on the printer.
2. Follow the instructions on the LCD screen to select the initial settings, such as the language, date, and color mode (SC-S80600 only).

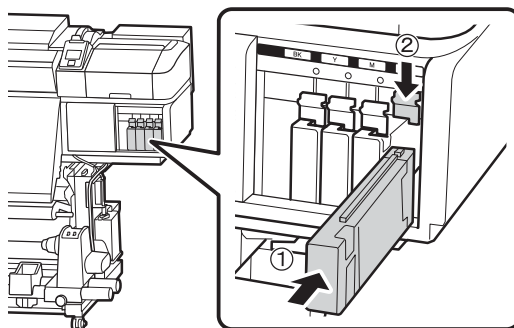
**Note:** You can change these setting later using the product's control panel. See the online *User's Guide* for help.

3. Continue following the instructions on the control panel to wash the print head. You will be prompted to perform the following sequential tasks: install the cleaning cartridges, charge the cleaning liquid, remove the cleaning cartridges, and discharge the cleaning liquid.
4. When prompted to install the ink cartridges, unpack the ink cartridges and shake each cartridge 15 times within 5 seconds. For SC-S80600 users, shake the OR, WH, and MS cartridges a bit more; about 50 times within 15 seconds.



**Note:** Do not touch the IC chip on the cartridge.

5. Insert the ink cartridges as shown and follow the instructions on the control panel to complete ink charging. Ink charging is complete when you see a message on the LCD screen to load media.



**Caution:** Do not turn off the printer while it is charging or you may waste ink.

**Note:** Make sure you insert the correctly colored ink cartridge in each slot. For SC-S80600 users, see the following table to determine the correct cartridge to insert in the rightmost slot (WH/MS/CL).

If you selected this color mode...	Insert this cartridge
9 Color	Cleaning cartridge
10 Color (With WH)	White (WH) ink cartridge
10 Color (With MS)	Metallic Silver (MS) ink cartridge

## Installing the software

Insert the included ONYX® USB flash drive into your computer and follow the on-screen instructions to install the ONYX GamaPrint™ Pro RIP software. If you do not have the ONYX USB flash drive or do not want to use the included RIP software, visit the Epson support site below for your model to download the necessary software.

- SC-S40600 - [www.epson.com/support/s40600downloads](http://www.epson.com/support/s40600downloads)
- SC-S60600 - [www.epson.com/support/s60600downloads](http://www.epson.com/support/s60600downloads)
- SC-S80600 - [www.epson.com/support/s80600downloads](http://www.epson.com/support/s80600downloads)

## Connecting to your system

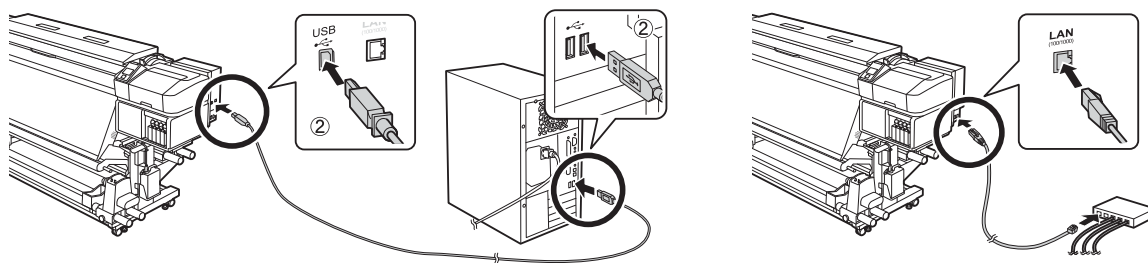
You can use USB and/or Ethernet network connections.

For USB connection, make sure your system has the appropriate port and that you have a standard, shielded cable, 10 feet (3 m) long or less.

**Note:** Do not connect the printer until a software installation screen prompts you to.

To connect to a network hub, or directly to your computer's network interface, you need a standard RJ-45 CAT-6 network cable.

1. Make sure the printer is turned off.
2. Plug the interface cable into the appropriate port on the printer.



3. Plug the other end of the cable into the appropriate port on your computer or network switch or hub.
4. Route the interface cable through the cable support on the printer stand along with the power cords.

If you connected to your printer through a network, follow the instructions in the next section to configure the printer for your network.

## Configuring the printer for your network

Once the printer is connected to your network, follow these steps to configure it:

1. Turn on the printer.

2. Start EpsonNet Config.

The EpsonNet Config program you installed from the USB flash drive that came with your printer searches for all Epson printers on the network and displays the MAC address for each printer that it finds.

3. Highlight the printer you want to configure and click **Configuration** to access the TCP/IP selection screen.

4. If necessary, contact your network administrator for instructions on assigning an appropriate IP address. A static IP address is recommended.

## Setting an administrative password

If your computer is connected to the printer over a network connection, it is recommended that you set an administrative password after installing the product's software.

**Note:** Be sure to write down or note the password. If you forget or lose the password, see the online *User's Guide* for help.

1. Open a web browser from a computer connected to the printer.

2. Enter your product's IP address into the address bar.

3. Click **Password** from the navigation menu.

4. Enter a password and then close the web browser.

## Updating your printer firmware

If you installed the Epson Control Dashboard, launch the application and view the help section for instructions on updating the printer firmware. This will help to ensure that your printer features and functionality is up to date.





EPSON and SureColor are registered trademarks, and EPSON Exceed Your Vision is a registered logomark of Seiko Epson Corporation.

General Notice: Other product names used herein are for identification purposes only and may be trademarks of their respective owners. Epson disclaims any and all rights in those marks.

This information is subject to change without notice.